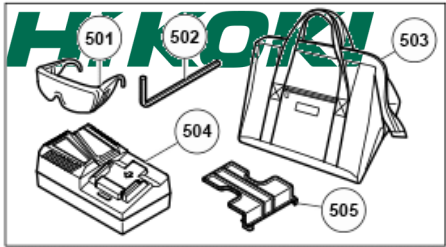


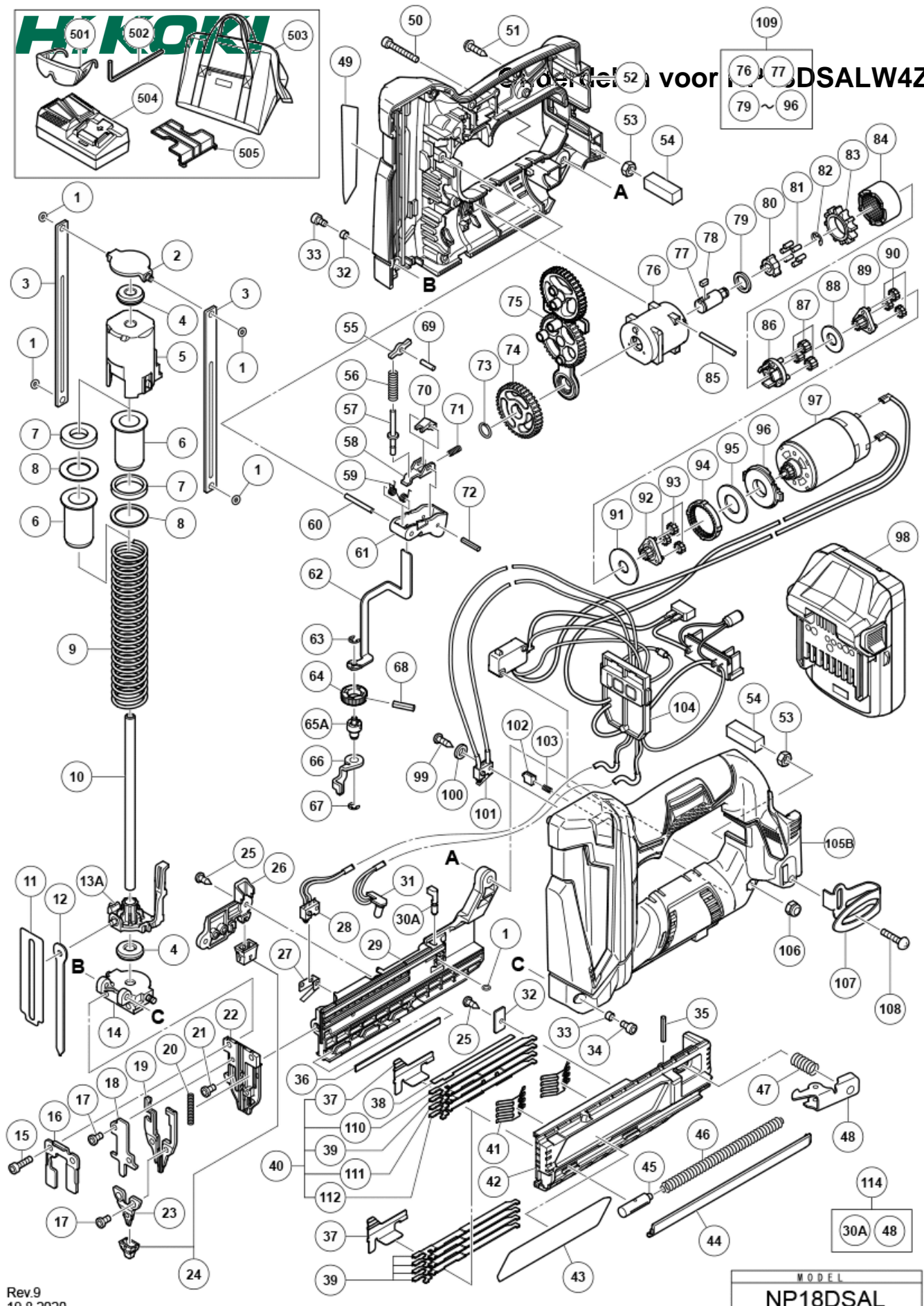
| nÂ° | Artikel                                  | Aantal gebruikt |
|-----|--|-----------------|
| 1   | 338981 O-RING (I.D. 2.8) NEW             | 5               |
| 2   | 339075 TOP HOLDER NEW                    | 1               |
| 3   | 339078 SLIDE GUIDE BAR NEW               | 2               |
| 4   | 370631 PLUNGER DAMPER                    | 2               |
| 5   | 339073 WEIGHT NEW                        | 1               |
| 6   | 372869 WEIGHT SLEEVE                     | 1               |
| 7   | 372870 SPRING DAMPER (B)                 | 1               |
| 8   | 372871 DAMPER WASHER (B)                 | 1               |
| 9   | 373107 SPRING                            | 1               |
| 10  | 339095 PLUNGER SHAFT                     | 1               |
| 11  | 339088 COVER PLATE                       | 1               |
| 12  | 339087 DRIVER BLADE                      | 1               |
| 13A | 371199 PLUNGER (A) (OLD 370630)          | 1               |
| 14  | 370643 BOTTOM HOLDER NEW                 | 1               |
| 15  | 949821 HEX.SOCKET HD.BOLT M5X16 (10 PCS) | 2               |
| 16  | 339084 GUIDE PLATE (B) NEW               | 1               |
| 17  | 370899 HEX.SOCKET BOLT M4X6              | 4               |
| 18  | 339083 GUIDE PLATE (A) NEW               | 1               |
| 19  | 339081 PUSHING LEVER (A) NEW             | 1               |
| 20  | 329133 PUSHING LEVER SPRING NEW          | 1               |
| 21  | 370640 LOW HEAD HEX. SOCKET BOLT M4X8    | 1               |
| 22  | 370634 BLADE GUIDE                       | 1               |
| 23  | 339082 NOSE NEW                          | 1               |
| 24  | 370901 NOSE CAP SET                      | 1               |
| 25  | 339108 TAPPING SCREW D3X8                | 3               |
| 26  | 339098 SWITCH HOLDER                     | 1               |
| 27  | 335025 MICRO SWITCH HOLDER (B) NEW       | 1               |
| 28  | 370902 MICRO SWITCH (B)                  | 1               |
| 29  | 339099 MAGAZINE                          | 1               |
| 30A | 375911 STOPPER SHAFT (B) NEW             | 1               |
| 31  | 370644 LED                               | 1               |
| 32  | 339107 GUIDE BAR PLATE                   | 1               |
| 33  | 370639 SLEEVE                            | 2               |
| 34  | 878614 @ NYLOCK HEX.SOCKET HD.BOLT M4X8  | 2               |
| 35  | 949685 ROLL PIN D4X32 (10 PCS)           | 1               |
| 36  | 339101 NAIL PLATE                        | 1               |
| 37  | 372727 NAIL FEEDER                       | 1               |
| 38  | 339103 TOP BAR                           | 1               |

| nÂ° | Artikel                                       | Aantal gebruikt |
|-----|---|-----------------|
| 39  | 372728 GUIDE BAR (A)                          | 1               |
| 41  | 339109 SPRING PLATE                           | 2               |
| 42  | 339104 MAGAZINE COVER                         | 1               |
| 43  | CAUTION LABEL                                 | 1               |
| 44  | 339106 FEEDER COVER PLATE                     | 1               |
| 45  | 329125 FEEDER PIECE NEW                       | 1               |
| 46  | 339105 FEED SPRING                            | 1               |
| 47  | 370636 BUSHING SPRING (B)                     | 1               |
| 48  | 331121 STOP LEVER NEW                         | 1               |
| 49  | NAME PLATE                                    | 1               |
| 50  | 949664 HEX.SOCKET HD.BOLT M5X30 (10 PCS)      | 1               |
| 51  | 313687 TAPPING SCREW (W/FLANGE) D3X16 (BLACK) | 9               |
| 52  | 339071 HOUSING (B) NEW                        | 1               |
| 53  | 327002 LOCK NUT M4 (BLACK)                    | 2               |
| 54  | 331186 PACKING NEW                            | 2               |
| 55  | 329107 SWITCH LEVER (T) NEW                   | 1               |
| 56  | 370900 PLUNGER SPRING (B)                     | 1               |
| 57  | 339093 PLUNGER (T)                            | 1               |
| 58  | 884201 TRIGGER ARM (GRAY) NEW                 | 1               |
| 59  | 329104 TRIGGER SPRING NEW                     | 1               |
| 60  | 329103 NEEDLE ROLLER (B) NEW                  | 1               |
| 61  | 329100 TRIGGER NEW                            | 1               |
| 62  | 339111 PUSHING LEVER (D)                      | 1               |
| 63  | 874759 RETAINING RING (E-TYPE) FOR D2.5       | 1               |
| 64  | 884221 ADJUSTER NEW                           | 1               |
| 65A | 376163 PUSHING LEVER (C) NEW                  | 1               |
| 66  | 339085 PUSHING LEVER (B) NEW                  | 1               |
| 67  | 872971 RETAINING RING (E-TYPE) FOR D3 SHAFT   | 1               |
| 68  | 880093 ROLL PIN D2X16                         | 1               |
| 69  | 329108 NEEDLE ROLLER NEW                      | 1               |
| 70  | 882896 TRIGGER PIECE                          | 1               |
| 71  | 324489 SPRING                                 | 1               |
| 72  | 881951 ROLL PIN D2.5X16                       | 1               |
| 73  | 339091 STOPPER RING                           | 1               |
| 74  | 339089 FIRST GEAR                             | 1               |
| 75  | 339092 GEAR HOLDER                            | 1               |
| 76  | 370647 GEAR CASE                              | 1               |
| 77  | 370648 FIRST GEAR SHAFT                       | 1               |

| nÂ°  | Artikel                                  | Aantal gebruikt |
|------|--|-----------------|
| 78   | 339090 KEY 3X3X6                         | 1               |
| 79   | 327147 WASHER (A)                        | 1               |
| 80   | 370649 LOCK CAM                          | 1               |
| 81   | 329560 NEEDLE ROLLER SET (6 PCS)         | 6               |
| 82   | 673489 RETAINING RING (E-TYPE)           | 1               |
| 83   | 329559 LOCK RING                         | 1               |
| 84   | 329562 RING GEAR                         | 1               |
| 85   | 329565 NEEDLE                            | 2               |
| 86   | 329561 CARRIER                           | 1               |
| 87   | 329563 PLANET GEAR (C) SET (3 PCS)       | 3               |
| 88   | 329564 WASHER (C)                        | 1               |
| 89   | 329566 PINION (C)                        | 1               |
| 90   | 329568 PLANET GEAR (B) SET (3 PCS)       | 3               |
| 91   | 329567 @ WASHER (B)                      | 1               |
| 92   | 329569 PINION (B)                        | 1               |
| 93   | 329571 PLANET GEAR (A) SET (3 PCS)       | 3               |
| 94   | 329570 FIRST RING GEAR                   | 1               |
| 95   | 329572 WASHER (A)                        | 1               |
| 96   | 329573 MOTOR SPACER                      | 1               |
| 97   | 339069 MOTOR NEW                         | 1               |
| 99   | 334333 TAPPING SCREW D3X12 (BLACK)       | 1               |
| 100  | 949430 BOLT WASHER M3 (10 PCS.)          | 1               |
| 101  | 370645 MICRO SWITCH (B)                  | 1               |
| 102  | 370635 CLUTCH PLATE                      | 1               |
| 103  | 339096 CLUTCH SPRING                     | 1               |
| 104  | 376688 SWITCH (B) ASS'Y (W/FERRITE CORE) | 1               |
| 105B | 339068 HOUSING (A)                       | 1               |
| 106  | 877371 NYLON NUT M5                      | 1               |
| 107  | 336372 HOOK NEW                          | 1               |
| 108  | 327001 TRUSS HD. SCREW M4 (BLACK)        | 1               |
| 109  | 339097 GEAR BOX ASS'Y                    | 1               |
| 114  | 375910 STOPPER SHAFT SET NEW             | 1               |
| 501  | 875769 SAFETY GLASSES                    | 1               |
| 502  | 943277 HEX. BAR WRENCH 3MM               | 1               |



onderdelen voor NP18DSALW4Z



Rev.9  
19.8.2020

MODEL  
**NP18DSAL**