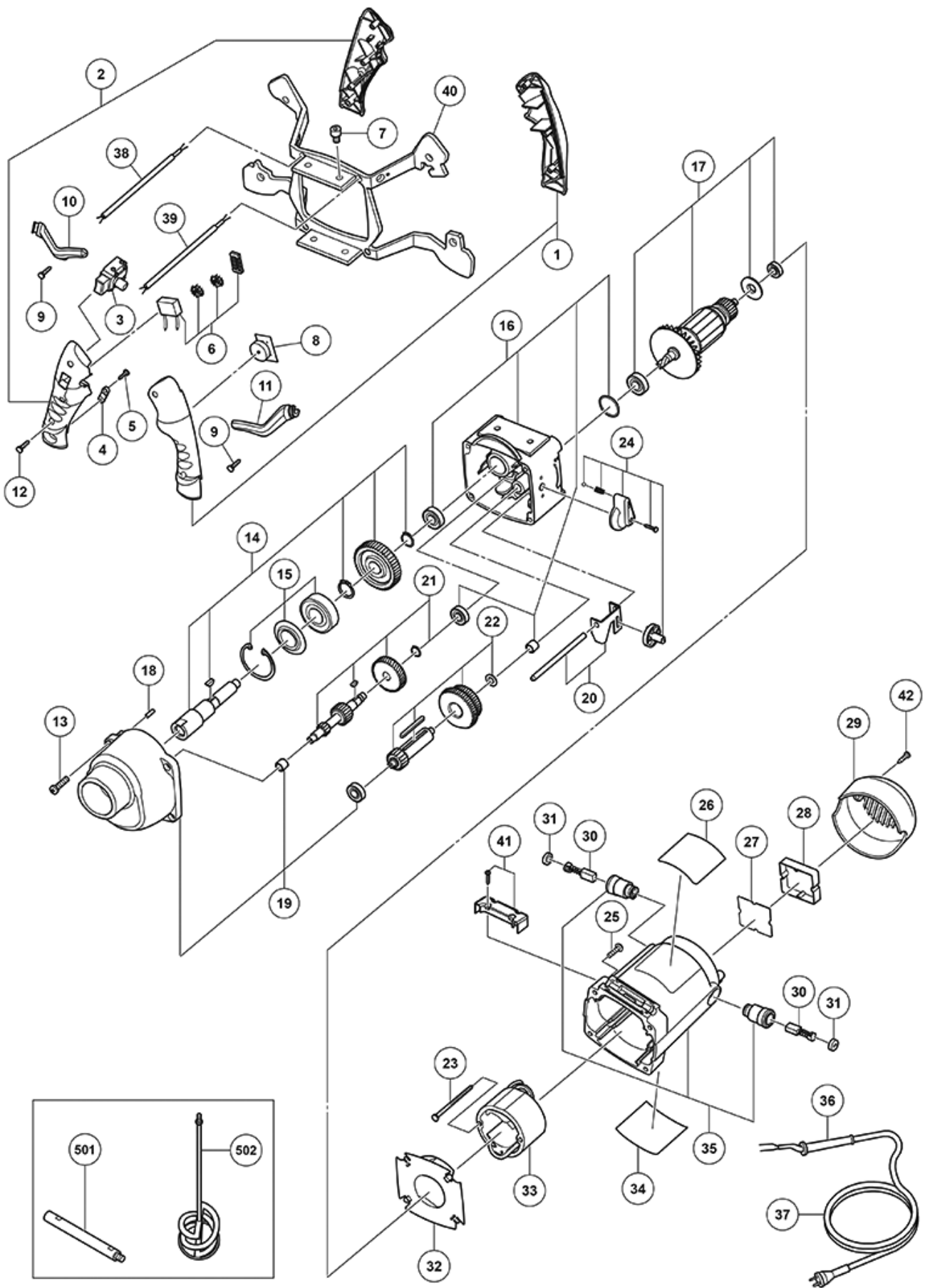


nÂ°	Artikel	Aantal gebruikt
1	375046 HANDLE ASS'Y (L) NEW	1
2	375047 HANDLE ASS'Y (R) NEW	1
3	375064 SWITCH NEW	1
4	333609 CLAMP	1
5	375060 SCREW ST4.2X12 (2 PCS.) NEW	2
6	375058 INDUCTANCE UNIT NEW	1
7	375056 SCREW M8X14 (4 PCS.) NEW	4
8	375065 CIRCUITRY BOARD NEW	1
9	375059 SCREW ST3X14 (2 PCS.) NEW	2
10	375049 WIRING GROOVE (R) NEW	1
11	375048 WIRING GROOVE (L) NEW	1
12	375053 SCREW ST3.9X16 (6 PCS.) NEW	6
13	333615 SCREW M5X20 (4 PCS)	4
14	333617 SPINDLE GEAR ASS'Y	1
15	333618 BEARING WITH COVER	1
16	333619 GEAR BOX ASS'Y	1
17	333625 ARMATURE UM16VST	1
18	333620 PIN	2
19	375681 BEARING COVER ASS'Y NEW	1
20	333623 PIVOT ASS'Y	1
21	333621 SECOND PINION ASS'Y	1
22	333622 THIRD PINION ASS'Y	1
23	333627 SCREW ST 4.2X70 (2 PCS)	2
24	375052 LEVER ASS'Y NEW	1
25	333630 SCREW M5X25 (4 PCS)	4
27	375066 CONTROLLER NEW	1
28	333634 PROTECTIVE GUARD UM16VST	1
29	333635 REAR COVER UM16VST	1
30	333631 CARBON BRUSH (2 PCS)	2
31	333632 BRUSH CAP (2 PCS) UM16VST	2
32	375054 AIR GUIDE SHIM NEW	1
33	333628 STATOR UM16VST	1
35	333629 MOTOR BOX ASS'Y UM16VST	1
36	333636 SLEEVE	1
37	333637 CORD (NEW 714500)	1
38	375682 CABLE 0.75 (5 PCS.) NEW	5
39	375050 CABLE 3X0.5X0.23 NEW	1
40	375057 HOB NEW	1

nÂ°	Artikel	Aantal gebruikt
41	375055 CABLE COVER ASS'Y NEW	1
42	375061 SCREW ST3.5X16 (2 PCS.) NEW	2



Rev.1

MODEL
UM16VST2