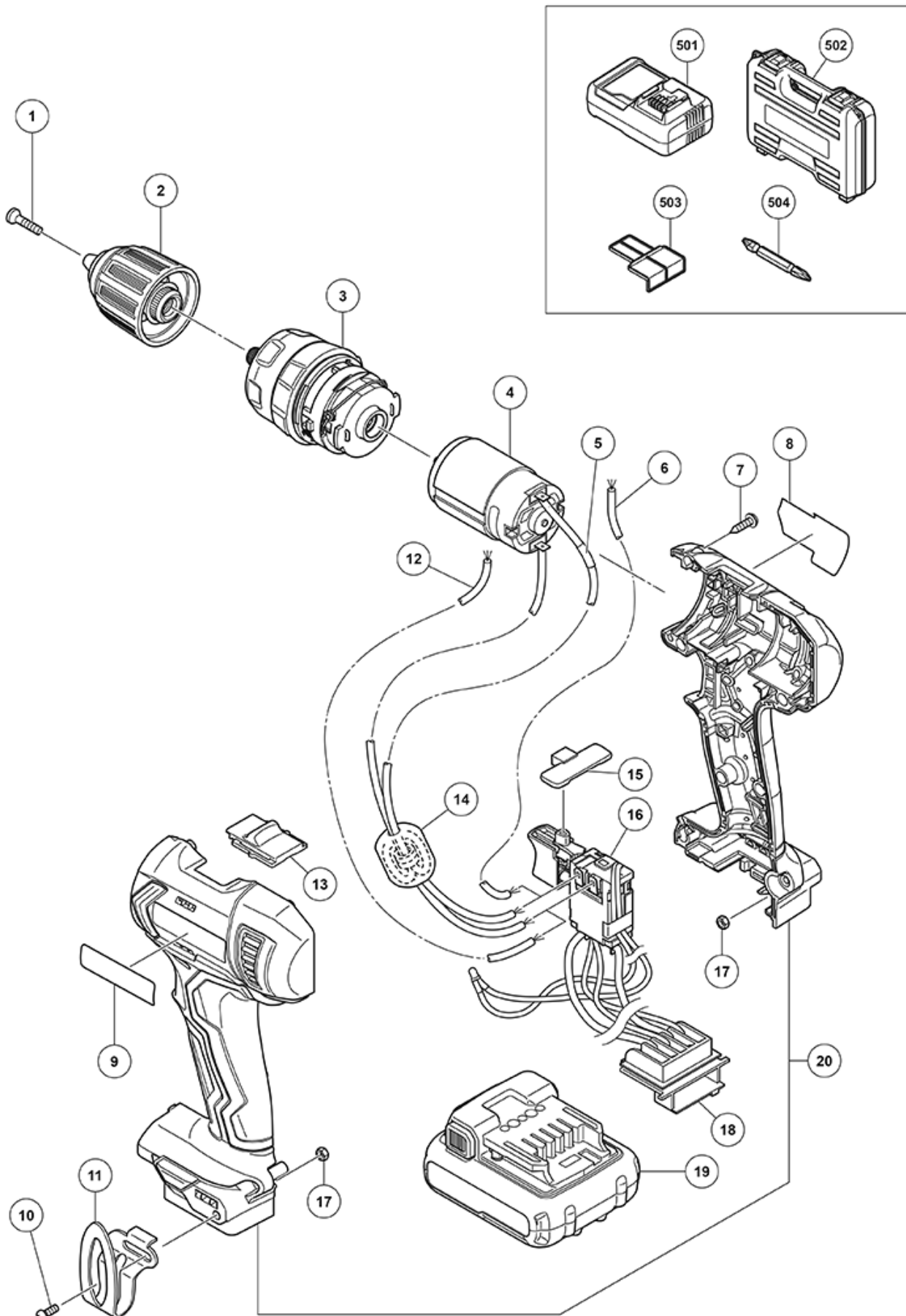


| nÂ° | Artikel | Aantal gebruikt |
|-----|--|-----------------|
| *19 | 374954 BATTERY BSL 1225M (EUROPE) | 2 |
| | STANDARD ACCESSORIES | 0 |
| 1 | 337426 HEXALOBULAR M5 LEFT-HAND (OLD 325616) | 1 |
| 2 | 337390 DRILL CHUCK 10TLRM-N (W/O CHUCK WRENCH) | 1 |
| 3 | 374939 GEAR BOX (E) NEW | 1 |
| 4 | 374937 MOTOR SET NEW | 1 |
| 5 | 375587 TUBE NEW | 1 |
| 6 | 375588 INTERNAL WIRE (RED) L110 | 1 |
| 7 | 313687 TAPPING SCREW (W/FLANGE) D3X16 (BLACK) | 8 |
| 8 | NAME PLATE | 1 |
| 9 | BRAND LABEL | 1 |
| 10 | 337357 TRUSS HD. SCREW M4 (BLACK) NEW | 1 |
| 11 | 372229 HOOK NEW | 1 |
| 12 | 375589 INTERNAL WIRE (BLACK) L80 | 1 |
| 13 | 374382 SHIFT KNOB NEW | 1 |
| 14 | 375590 INTERNAL WIRE FERRITE SET NEW | 1 |
| 15 | 329548 PUSHING BUTTON (A) | 1 |
| 16 | 374935 DC SPEED CONTROL SWITCH NEW | 1 |
| 17 | 327002 LOCK NUT M4 (BLACK) | 2 |
| 18 | 374387 BATTERY TERMINAL NEW | 1 |
| 20 | 374934 HOUSING SET (A+B) NEW | 1 |
| 501 | CHARGER (MODEL UC 12SL) | 1 |
| 502 | 336642 CASE | 1 |
| 503 | 374778 BATTERY COVER NEW | 1 |
| 504 | 983006 + DRIVER BIT NO.2 65L | 1 |



MODEL
DV12DA

Rev.1