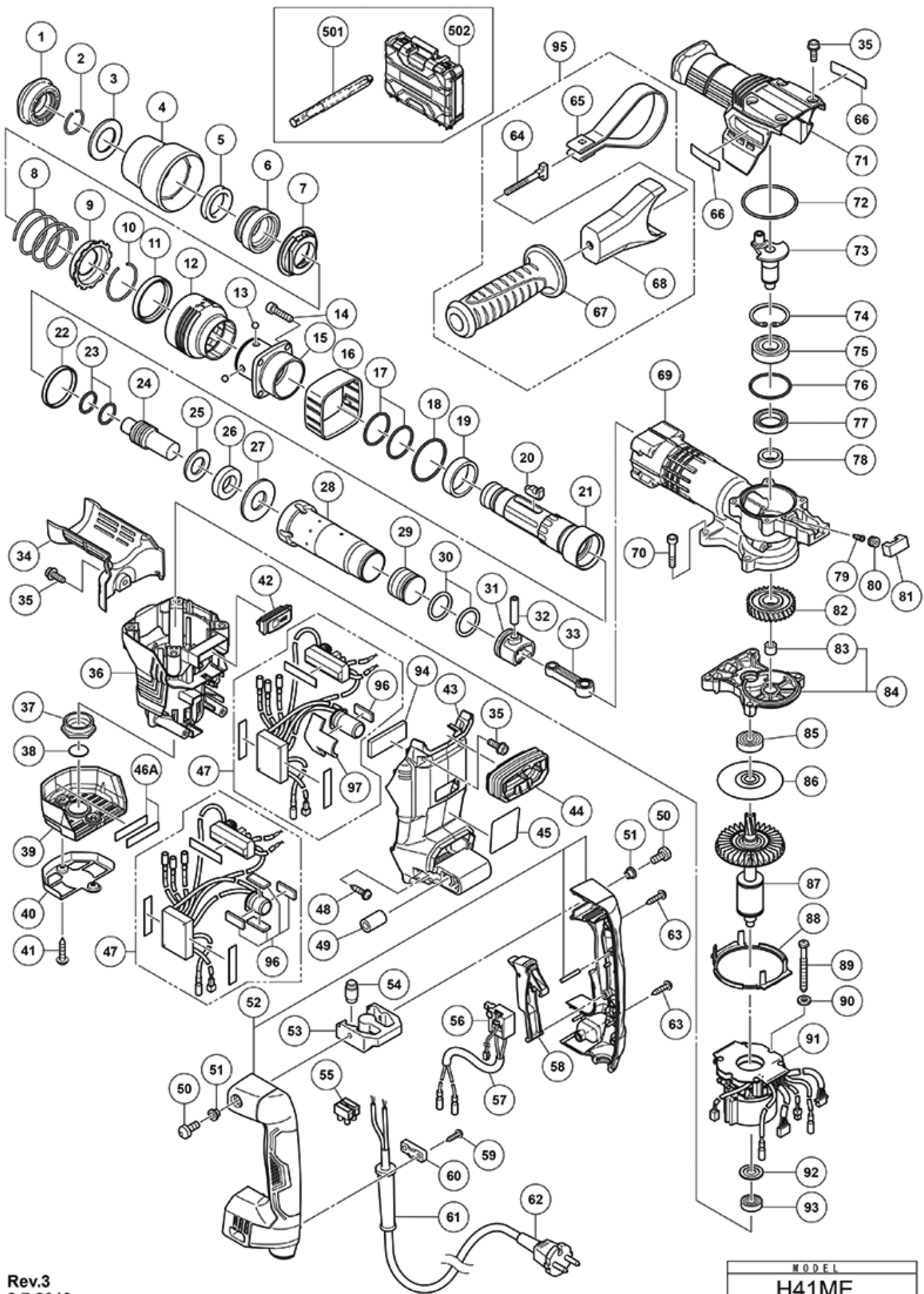


nÂ°	Artikel	Aantal gebruikt
1	337562 FRONT CAP NEW JUL	1
2	318590 STOPPER RING	1
3	370172 RETAINER WASHER	1
4	370173 GRIP	1
5	337559 RETAINER DAMPER (A) NEW JUL	1
6	337558 BIT LOCK HOLDER NEW JUL	1
7	370242 SPRING HOLDER (A)	1
8	370243 RETAINER SPRING	1
9	370244 SPRING HOLDER (B)	1
10	333255 STOPPER RING	1
11	373288 BALL HOLDER	1
12	373279 GRIP (B)	1
13	959150 STEEL BALL D6.35 (10 PCS.)	4
14	981942 PACKING BOLT	4
15	373280 FRONT COVER	1
16	373236 TOP COVER	1
17	980879 O-RING (S-34)	2
18	373251 O-RING (I.D 44.5)	1
19	373281 RETAINER DAMPER (B)	1
20	370654 BIT LOCK NEW	2
21	373284 RETAINER SLEEVE	1
22	373249 DAMPER (C)	1
23	313396 O-RING (C)	2
24	373285 SECOND HAMMER	1
25	373286 DAMPER WASHER	1
26	321289 DAMPER	1
27	373287 DAMPER HOLDER	1
28	374774 CYLINDER	1
29	373283 STRIKER	1
30	320823 O-RING	2
31	320824 PISTON	1
32	373256 PISTON PIN	1
33	373275 CONNECTING ROD	1
34	373234 HOOD	1
35	998485 HEX.SOCKET HD.BOLTM5X14 (W/FLANGE)	7
36	373629 HOUSING NEW	1
37	310111 BEARING BUSH (B)	1
38	333263 DUST SEAL	1

nÂ°	Artikel	Aantal gebruikt
39	373631 TAIL COVER NEW	1
40	373633 PLATE NEW	1
42	375353 PANEL NEW	1
43	373628 BACK COVER NEW	1
44	373252 BELLOWS	1
45	NAME PLATE	1
46A	373635 RUBBER SHEET NEW	2
47	375395 DC FILTER PCB (A) 100-127 VOLT NEW	1
47	375396 DC FILTER PCB (A) 220-240 VOLT NEW	1
48	302089 TAPPING SCREW (W/FLANGE) D5X20 (BLACK)	2
49	375357 DAMPER (D) NEW	1
50	373263 SEAL LOCK BUTTON BOLT M5	2
51	991711 DISTANCE PIECE (B)	2
52	375354 HANDLE SET (A+B) NEW	1
53	373231 TRANSATORY UNIT	1
54	310124 HANDLE DAMPER	4
55	958308Z PILLAR TERMINAL (A)	1
56	375398 SWITCH (A) NEW	1
57	375397 TUBE NEW	1
58	373640 TRIGGER NEW	1
59	984750 TAPPING SCREW (W/FLANGE) D4X16	2
60	960266 CORD CLIP	1
61	958049 CORD ARMOR D8.2 (OLD 958049Z)	1
61	940778 CORD ARMOR D10.7	1
62	500235Z CORD 5M 2 X 1.0 FOR EUROPE (NEW 714500)	1
62	500434Z CORD	1
62	500408Z CORD	1
62	500477Z CORD	1
62	500390Z CORD 5M 2 X 1.5 FOR HOL (NEW 714520)	1
62	500440Z CORD 5M 2 X 1,0 W/PLUG 13A/250V FOR GBR	1
63	301653 TAPPING SCREW (W/FLANGE) D4X20 (BLACK)	2
64	331247 HANDLE BOLT	1
65	373245 BAND	1
67	330209 SIDE HANDLE	1
68	373244 MOUNT	1
69	373289 CYLINDER CRANK CASE ASS'Y	1
70	322494 SEAL LOCK HEX. SOCKET HD. BOLT M6X40 NEW	4
71A	374477M CRANK COVER	1

nÂ°	Artikel	Aantal gebruikt
71A	374477 CRANK COVER NEW	1
72	373250 O-RING (I.D 53.9)	1
73	373246 CRANK SHAFT	1
74	948391 RETAINING RING FOR D40 HOLE	1
75	6203DD BALL BEARING 6203DDUCMAV2S	1
76	996363 O-RING (S-40)	1
77	310119 OIL SEAL 12Z 25X35X7	1
78	373254 DISTANCE RING	1
79	995396 VALVE	1
80	338313 CAP SCREW NEW	1
81	374461 FELT	1
82	373255 FIRST GEAR	1
83	373278 NEEDLE BEARING	1
84	373271 GEAR COVER ASS'Y	1
85	6201DD BALL BEARING 6201DDUCMAV2S	1
86	374478 GUIDE WASHER NEW	1
87	361092 ROTOR NEW	1
88	373632 FAN GUIDE NEW	1
89	373634 HEX. HD. TAPPING SCREW D4X45 NEW	2
90	323210 BOLT WASHER M4 (BLACK)	2
91	341004 STATOR PCB 100-120 VOLT NEW	1
91	341005 STATOR PCB 220-240 VOLT NEW	1
92	982631 WASHER (A)	1
93	608VVM BALL BEARING 608VVC2PS2L	1
94	930196 SUPPORT (B) NEW	1
95	375594 SIDE HANDLE ASS'Y NEW	1
96	375356 PACKING (F) NEW	1
97	375355 PACKING (E)	1
501	313471 BULL POINT (SDS MAX) 280L	1
502A	373405 CASE	1
601	981840 GREASE (FG-6A) (30G)	1
602	308471 GREASE FOR HAMMER DRILL (70G)	1
603	980927 GREASE FOR IMPACT DRILL (FG-6A) (500G)	1
604	313472 BULL POINT (SDS MAX) 400L	1
605	313473 COLD CHISEL (SDS MAX) 280MM	1
606	313474 COLD CHISEL (SDS MAX) 400MM	1
607	313475 CUTTER (SDS MAX) W50X400L	1
608	313476 SCOOP (SDS MAX) 400L	1

nÂ°	Artikel	Aantal gebruikt
609	313477 BUSHING TOOL (SDS MAX)	1
610	313478 RAMMER (SDS MAX) 150MMX150MM	1
611	313479 SHANK (SDS MAX)FOR RAMMER,BUSHING TOOL	1



Rev.3
 8.7.2019