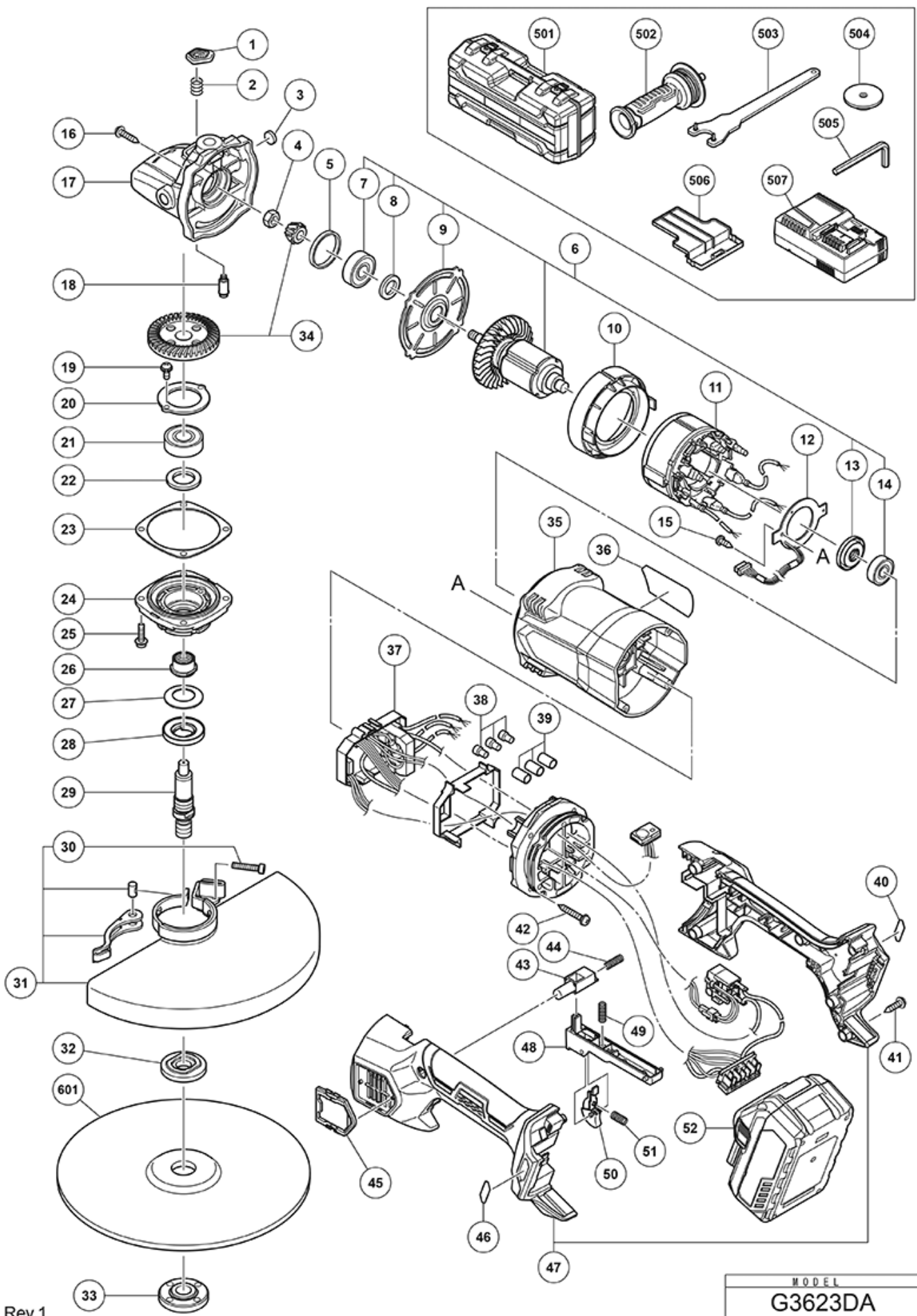


| nÂ° | Artikel | Aantal gebruikt |
|-----|---|-----------------|
| *52 | 372120 BATTERY BSL 36B18 (EUROPE.AUS.NZL) | 2 |
| 1 | 337641 PUSHING BUTTON | 1 |
| 2 | 320219 SPRING | 1 |
| 3 | 315049 FELT WASHER | 1 |
| 4 | 949568 LOCK NUT M8 (10 PCS) SMALL (OLD 949568Z) | 1 |
| 5 | 373942 RUBBER RING NEW | 1 |
| 6 | 361098 ROTOR (A) ASS'Y NEW | 1 |
| 7 | 6201VV BALL BEARING 6201VVCMP2L | 1 |
| 8 | 373928 FELT PACKING (A) NEW | 1 |
| 9 | 373927 BEARING HOLDER NEW | 1 |
| 10 | 373943 FAN GUIDE NEW | 1 |
| 11 | 341013 STATOR | 1 |
| 12 | 374376 SENSOR PCB (A) NEW | 1 |
| 13 | 373929 DUST SEAL NEW | 1 |
| 14 | 6000VV BALL BEARING 6000VVCMP2L | 1 |
| 15 | 306945 TAPPING SCREW D3X10 | 1 |
| 16 | 305558 TAPPING SCREW (W/FLANGE) D5X25 (BLACK) | 4 |
| 17 | 373935 GEAR COVER ASS'Y NEW | 1 |
| 18 | 374367 LOCK PIN NEW | 1 |
| 19 | 987201 SEAL LOCK SCREW M4X10 (W/SP WASHER) | 2 |
| 20 | 373939 BEARING COVER NEW | 1 |
| 21 | 6202VV BALL BEARING 6202VVCMP2S | 1 |
| 22 | 373938 FELT PACKING (B) NEW | 1 |
| 23 | 374372 SEAL PLATE NEW | 1 |
| 24 | 373937 PACKING GLAND NEW | 1 |
| 25 | 998485 HEX.SOCKET HD.BOLTM5X14 (W/FLANGE) | 4 |
| 26 | 374604 SLEEVE NEW | 1 |
| 27 | 374370 BELLEVILLE SPRING NEW | 1 |
| 28 | 374369 SUPPORT BODY (C) NEW | 1 |
| 29 | 374605 SPINDLE NEW | 1 |
| 30 | 949662 HEX.SOCKET HD BOLT M5X25 (10 PCS) | 1 |
| 31 | 374311 WHEEL GUARD ASS'Y NEW | 1 |
| 32 | 374314 WHEEL WASHER (E) NEW | 1 |
| 33 | 373779 WHEEL NUT M14X2 (OLD 937909Z) | 1 |
| 34 | 373940 GEAR ASS'Y NEW | 1 |
| 35 | 374312 HOUSING NEW | 1 |
| 36 | NAME PLATE | 1 |
| 37 | 374457 HOLDER WIRING SET NEW | 1 |

| nÂ° | Artikel | Aantal gebruikt |
|-----|---|-----------------|
| 38 | 959141 CONNECTOR 50092 (10 PCS) (OLD 939558) | 3 |
| 39 | 374969 SUMI TUBE NEW | 3 |
| 40 | 373914 MV LABEL (B) NEW | 1 |
| 41 | 305812 TAPPING SCREW (W/FLANGE) D4X16 (BLACK) | 6 |
| 42 | 305490 TAPPING SCREW D4X30 (W/FLANGE) BLACK | 4 |
| 43 | 374295 KNOB | 1 |
| 44 | 374300 SPRING (C) | 1 |
| 45 | 373936 FILTER NEW | 2 |
| 46 | 373913 MV LABEL (A) NEW | 1 |
| 47 | 374456 HANDLE SET (A+B) NEW | 1 |
| 48 | 374454 TRIGGER NEW | 1 |
| 49 | 374606 SPRING (D) NEW | 1 |
| 50 | 374296 LEVER | 1 |
| 51 | 374299 SPRING (B) | 1 |
| 501 | 374409 PLASTIC CARRYING CASE NEW | 1 |
| 502 | 336865 SIDE HANDLE (VIBRATION-ABSORBING) (OLD 325496) | 1 |
| 503 | 325491 WRENCH | 1 |
| 504 | 374455 CLAMP NUT NEW | 1 |
| 505 | 944458 HEX. BAR WRENCH 4MM | 1 |
| 506 | 329897 BATTERY COVER | 2 |
| 507 | CHARGER (MODEL UC 18YSL3) | 1 |



Rev.1