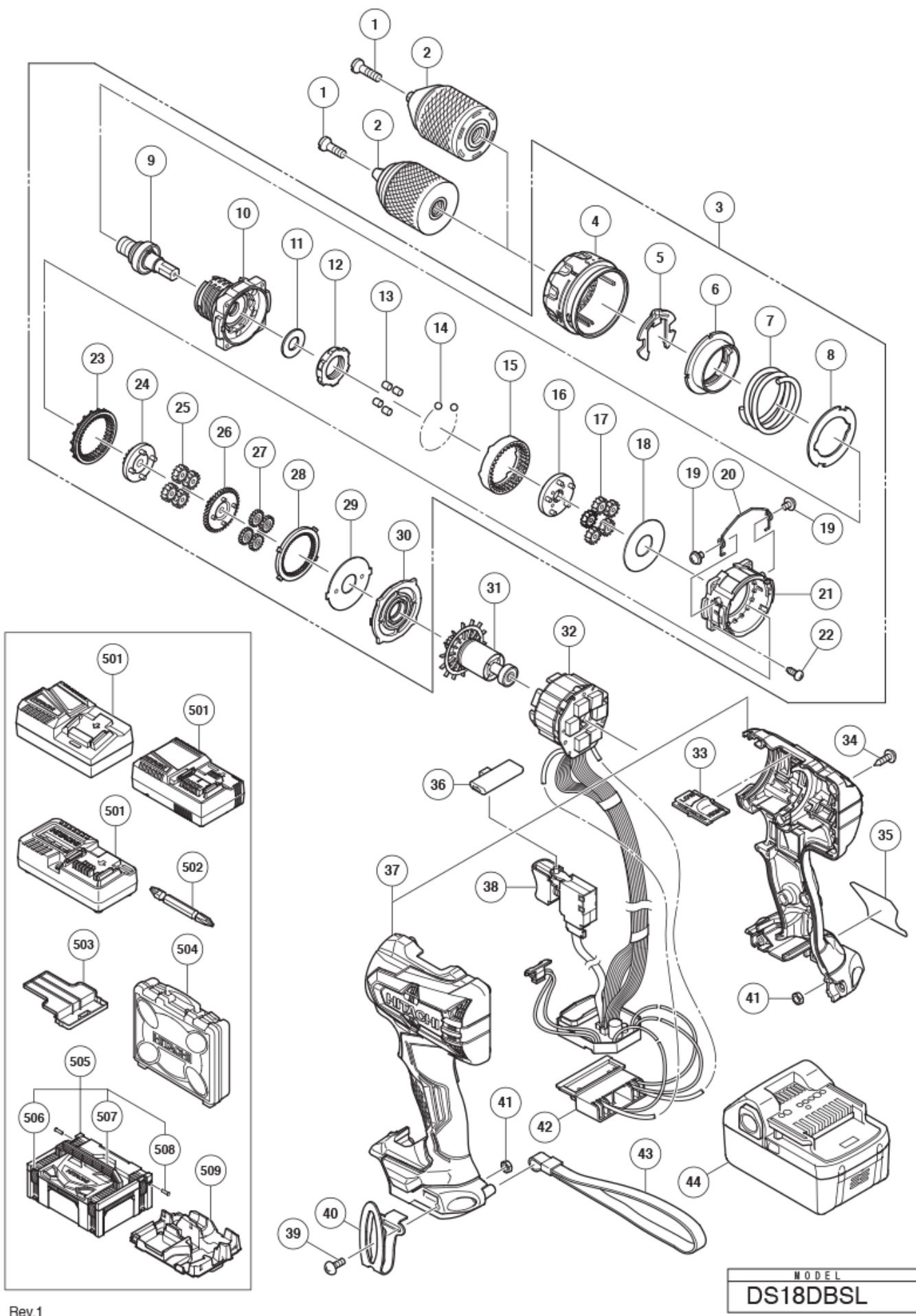


nÂ°	Artikel	Aantal gebruikt
*44	330068 BATTERY BSL 1830 (EUROPE,AUS,NZL)	2
*1	370909 SEAL LOCK FLAT HD. SCREW M6X25 (LEFT HAND) NEW	1
*504	337852 PLASTIC CARRYING CASE (OLD 330592/329848)	1
*44	335790 BATTERY BSL 1850 (EUROPE,AUS,NZL)	2
*504	337140 PLASTIC CARRYING CASE AGGRESSIVE GREEN/DARK GREY NEW	1
*1	370908 SEAL LOCK FLAT HD.SCREW(LEFT HAND)6X20.5	1
*2	370897 DRILL CHUCK 13VLRB-Z KEYLESS NEW	1
*44	339783 BATTERY BSL 1830C (EUROPE.AUS.NZL)	2
3	370592 GEAR BOX ASS'Y NEW	1
4	370610 CLUTCH DIAL (A) NEW	1
5	327146 CLICK SPRING	1
6	370602 NUT NEW	1
7	370607 SPRING NEW	1
8	370603 THRUST PLATE NEW	1
9	370596 SPINDLE NEW	1
10	370594 FRONT CASE NEW	1
11	328717 WASHER (B)	1
12	370609 LOCK RING NEW	1
13	319744 ROLLER	4
14	306936 STEEL BALL D5	6
15	370606 RING GEAR NEW	1
16	370600 CARRIER NEW	1
17	370616 PLANET GEAR (C) SET (5 PCS) NEW	5
18	331892 WASHER (A)	1
19	331895 SCREW SET D2 (2 PCS)	2
20	370608 SHIFT ARM NEW	1
21	370601 REAR CASE NEW	1
22	324357 SCREW SET D3X12 (4 PCS.)	4
23	370605 SLIDE RING GEAR NEW	1
24	370599 PINION (C) NEW	1
25	370615 PLANET GEAR (B) SET (4 PCS) NEW	4
26	370598 PINION (B) NEW	1
27	370614 PLANET GEAR (A) SET (4 PCS) NEW	4
28	370604 FIRST RING GEAR NEW	1
29	339761 WASHER (B) NEW	1
30	339762 MOTOR SPACER NEW	1
31	361048 ROTOR PINION ASS'Y NEW	1
32	370619 WIRING ASS'Y NEW	1

nÂ°	Artikel	Aantal gebruikt
33	330583 SHIFT KNOB	1
34	313687 TAPPING SCREW (W/FLANGE) D3X16 (BLACK)	9
36	339768 PUSHING BUTTON	1
37	370618 HOUSING SET (A+B) NEW	1
38	370151 DC-SPEED CONTROL SWITCH	1
39	327001 TRUSS HD. SCREW M4 (BLACK)	1
40	332824 HOOK	1
41	327002 LOCK NUT M4 (BLACK)	2
42	339769 BATTERY TERMINAL	1
43	306952 STRAP (BLACK)	1
501	CHARGER (MODEL UC 18YFSL)	1
501	CHARGER (MODEL UC 18YKSL)	1
501	CHARGER (MODEL UC 18YSL3)	1
503	329897 BATTERY COVER	1
505	336471 CASE ASS'Y (STACKABLE)	1
506	336472 LATCH	4
507	336473 HANDLE	1
508	336474 HINGE	2
509	336475 INNER TRAY	1



Rev.1