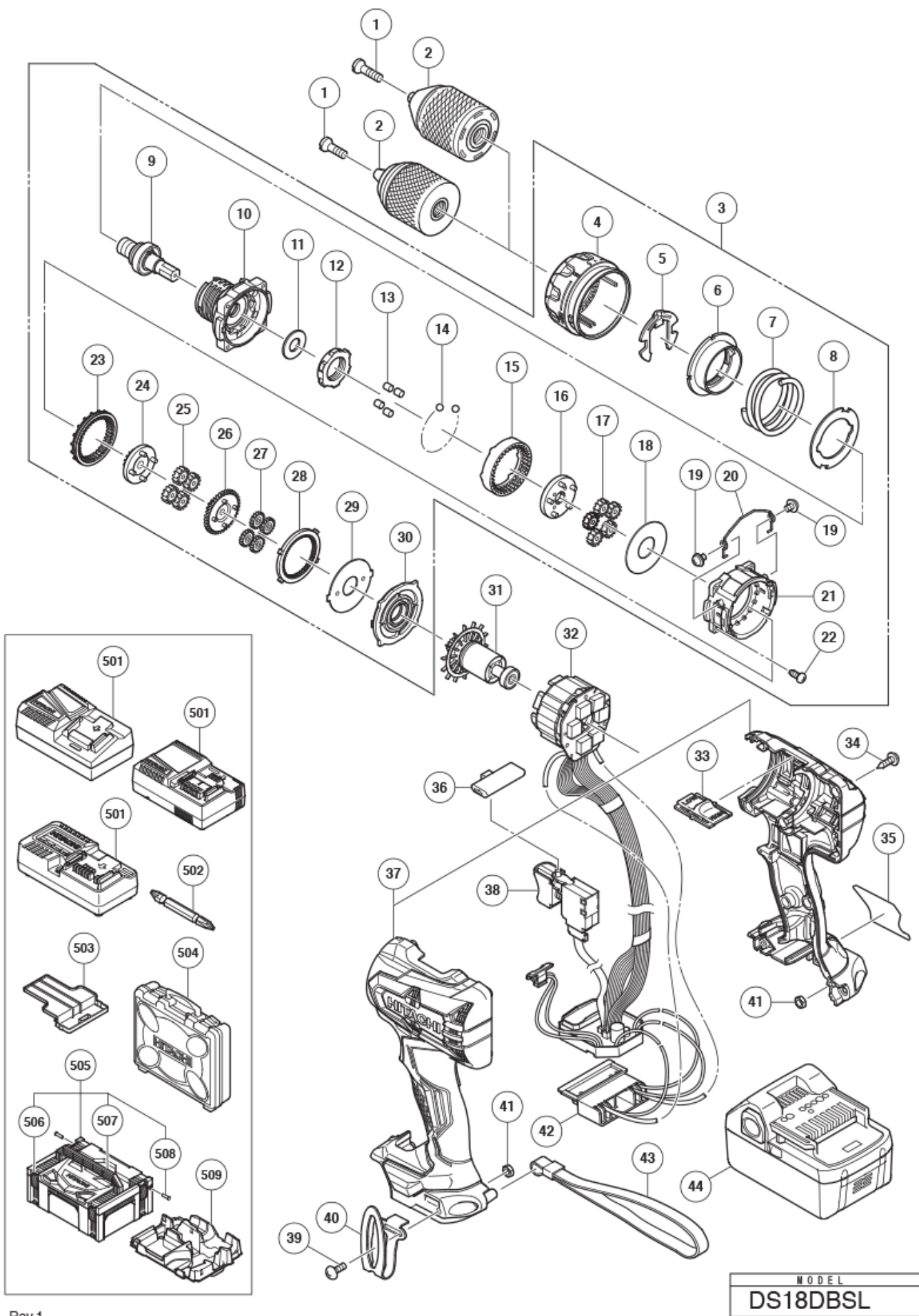


| nÂ° | Artikel | Aantal gebruikt |
|------|---|-----------------|
| *44 | 330068 BATTERY BSL 1830 (EUROPE,AUS,NZL) | 2 |
| *1 | 370909 SEAL LOCK FLAT HD. SCREW M6X25 (LEFT HAND) NEW | 1 |
| *504 | 337852 PLASTIC CARRYING CASE (OLD 330592/329848) | 1 |
| *44 | 335790 BATTERY BSL 1850 (EUROPE,AUS,NZL) | 2 |
| *504 | 337140 PLASTIC CARRYING CASE AGGRESSIVE GREEN/DARK GREY NEW | 1 |
| *1 | 370908 SEAL LOCK FLAT HD.SCREW(LEFT HAND)6X20.5 | 1 |
| *2 | 370897 DRILL CHUCK 13VLRB-Z KEYLESS NEW | 1 |
| *44 | 339783 BATTERY BSL 1830C (EUROPE.AUS.NZL) | 2 |
| 3 | 370592 GEAR BOX ASS'Y NEW | 1 |
| 4 | 370610 CLUTCH DIAL (A) NEW | 1 |
| 5 | 327146 CLICK SPRING | 1 |
| 6 | 370602 NUT NEW | 1 |
| 7 | 370607 SPRING NEW | 1 |
| 8 | 370603 THRUST PLATE NEW | 1 |
| 9 | 370596 SPINDLE NEW | 1 |
| 10 | 370594 FRONT CASE NEW | 1 |
| 11 | 328717 WASHER (B) | 1 |
| 12 | 370609 LOCK RING NEW | 1 |
| 13 | 319744 ROLLER | 4 |
| 14 | 306936 STEEL BALL D5 | 6 |
| 15 | 370606 RING GEAR NEW | 1 |
| 16 | 370600 CARRIER NEW | 1 |
| 17 | 370616 PLANET GEAR (C) SET (5 PCS) NEW | 5 |
| 18 | 331892 WASHER (A) | 1 |
| 19 | 331895 SCREW SET D2 (2 PCS) | 2 |
| 20 | 370608 SHIFT ARM NEW | 1 |
| 21 | 370601 REAR CASE NEW | 1 |
| 22 | 324357 SCREW SET D3X12 (4 PCS.) | 4 |
| 23 | 370605 SLIDE RING GEAR NEW | 1 |
| 24 | 370599 PINION (C) NEW | 1 |
| 25 | 370615 PLANET GEAR (B) SET (4 PCS) NEW | 4 |
| 26 | 370598 PINION (B) NEW | 1 |
| 27 | 370614 PLANET GEAR (A) SET (4 PCS) NEW | 4 |
| 28 | 370604 FIRST RING GEAR NEW | 1 |
| 29 | 339761 WASHER (B) NEW | 1 |
| 30 | 339762 MOTOR SPACER NEW | 1 |
| 31 | 361048 ROTOR PINION ASS'Y NEW | 1 |
| 32 | 370619 WIRING ASS'Y NEW | 1 |

| nÂ° | Artikel | Aantal gebruikt |
|-----|---|-----------------|
| 33 | 330583 SHIFT KNOB | 1 |
| 34 | 313687 TAPPING SCREW (W/FLANGE) D3X16 (BLACK) | 9 |
| 36 | 339768 PUSHING BUTTON | 1 |
| 37 | 370618 HOUSING SET (A+B) NEW | 1 |
| 38 | 370151 DC-SPEED CONTROL SWITCH | 1 |
| 39 | 327001 TRUSS HD. SCREW M4 (BLACK) | 1 |
| 40 | 332824 HOOK | 1 |
| 41 | 327002 LOCK NUT M4 (BLACK) | 2 |
| 42 | 339769 BATTERY TERMINAL | 1 |
| 43 | 306952 STRAP (BLACK) | 1 |
| 501 | CHARGER (MODEL UC 18YFSL) | 1 |
| 501 | CHARGER (MODEL UC 18YKSL) | 1 |
| 501 | CHARGER (MODEL UC 18YSL3) | 1 |
| 503 | 329897 BATTERY COVER | 1 |
| 505 | 336471 CASE ASS'Y (STACKABLE) | 1 |
| 506 | 336472 LATCH | 4 |
| 507 | 336473 HANDLE | 1 |
| 508 | 336474 HINGE | 2 |
| 509 | 336475 INNER TRAY | 1 |



Rev.1

MODEL
DS18DBSL