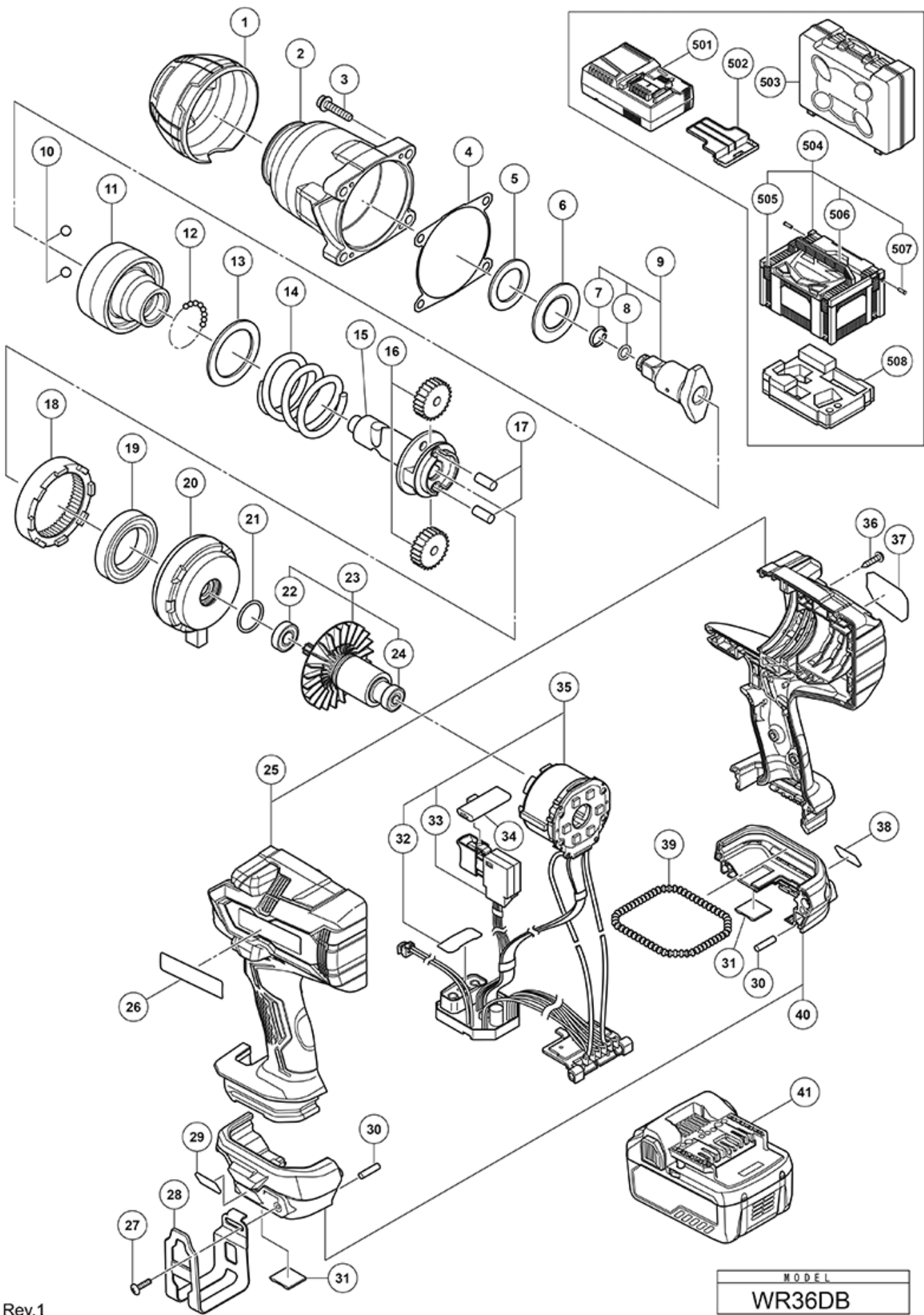


nÂ°	Artikel	Aantal gebruikt
	STANDARD ACCESSORIES	0
	OPTIONAL ACCESSORIES	0
1	373036 FRONT CAP	1
2	373037 HAMMER CASE	1
3	373377 HEX. SOCKET HD. BOLT M6X30 (W/FLANGE) NEW	4
4	373302 PACKING NEW	1
5	373045 THRUST DAMPER	1
6	373044 WASHER (F)	1
7	370951 FRICTION RING (B) NEW	1
8	315382 O-RING (P-8)	1
9	373051 ANVIL (B)	1
10	959151 STEEL BALL D7.14 (10 PCS)	2
11	373043 HAMMER	1
12	959155 STEEL BALL D3.97 (10 PCS.)	36
13	373038 WASHER (J)	1
14	373042 HAMMER SPRING	1
15	373048 SPINDLE	1
16	373300 IDLE GEAR SET (2 PCS) NEW	2
17	373049 NEEDLE ROLLER	2
18	373047 RING GEAR	1
19	334310 BALL BEARING 61907 (GB)	1
20	373046 INNER COVER	1
21	887302 O-RING (I.D. 21.5) NEW	1
22	371033 BALL BEARING NEW	1
23	361077 ROTOR ASS'Y	1
24	607VVC BALL BEARING 607VVC2PS2L	1
25	373031 HOUSING (A+B) SET	1
26	BRAND LABEL	1
27	373378 TRUSS HD. SCREW M4 (BLACK) NEW	1
28	373035 HOOK	1
29	MV LABEL (B)	1
30	373041 REAR BUMPER	2
31	373040 SIDE BUMPER	2
32	PANEL SHEET (A)	1
33	339217 DC-SPEED CONTROL SWITCH NEW	1
34	373301 PUSHING BUTTON NEW	1
35	373050 WIRING ASS'Y	1
36	339250 TAPPING SCREW D4X20 (W/FLANGE) NEW	9

nÂ°	Artikel	Aantal gebruikt
37	NAME PLATE	1
38	MV LABEL (A)	1
39	373039 JOINT RUBBER	1
40	373032 HOUSING SET (C+D) SET	1
41	371750 BATTERY BSL 36A18 (EUROPE.AUS.NZL)	2
501	CHARGER (MODEL UC 18YSL3)	1
502	329897 BATTERY COVER	1
503	373222 PLASTIC CARRYING CASE NEW	1
504	337108 CASE ASS'Y (STACKABLE)	1
505	336472 LATCH	4
506	336473 HANDLE	1
507	336474 HINGE	2
508	373223 BOTTOM CUSHION WR36DA/DB (HSC III) NEW	1
601	306927 SILICON RUBBER	1
602	309922 GREASE FOR IMPACT DRIVER (500G)	1
603	325149 GREASE (MOLUB-ALLOY NO.777-1) 75G	1
604	372121M BATTERY BSL 36B18 (USA.CAN)	1



Rev.1

MODEL
WR36DB