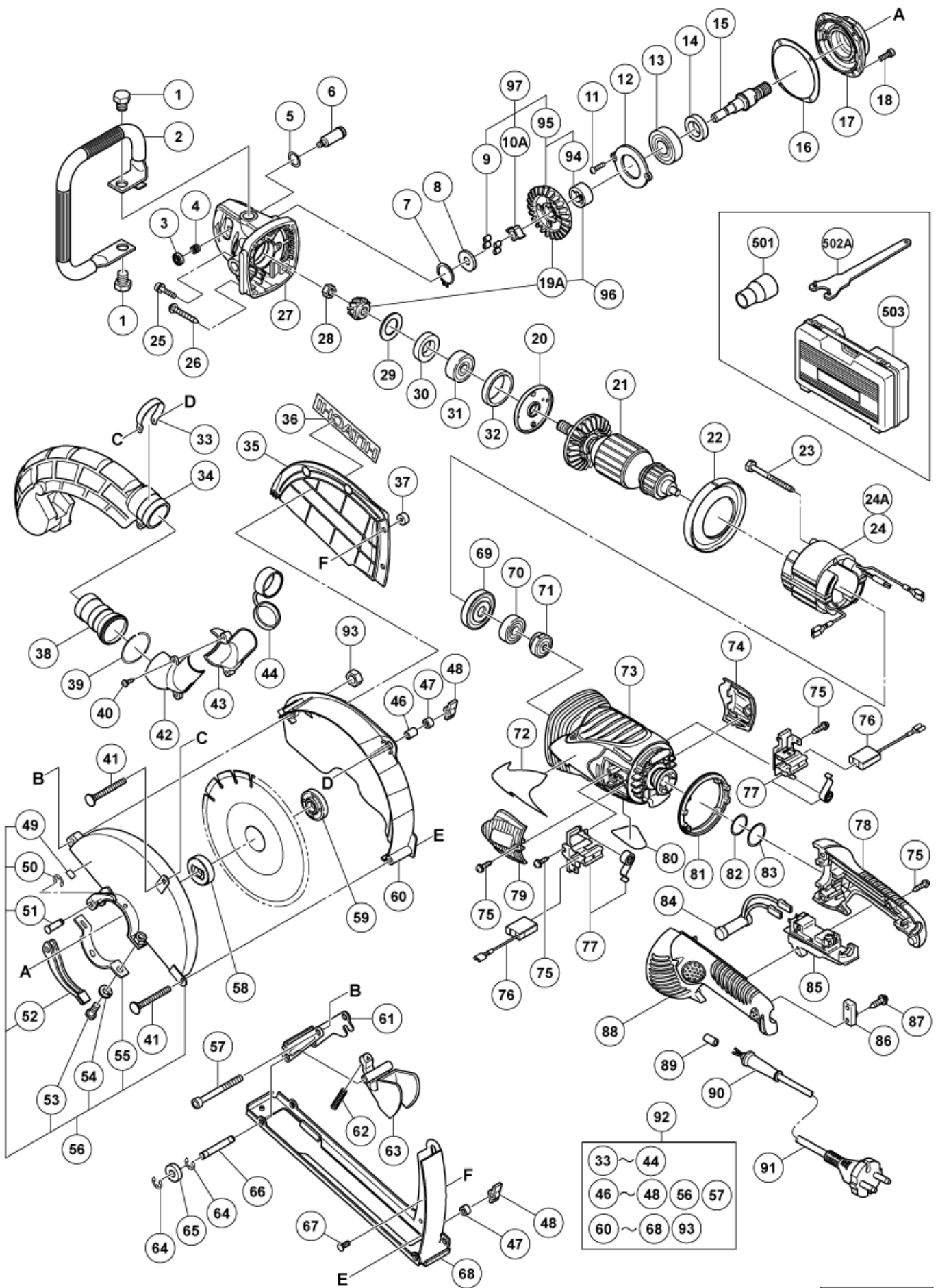


nÂ°	Artikel	Aantal gebruikt
1	985597 BOLT M14	2
2	323993 PIPE HANDLE SET (OLD 322141)	1
3	306888 PUSH BUTTON	1
4	320219 SPRING	1
5	320218 O-RING	1
6	306890 LOCK PIN	1
7	939540 RETAINING RING FOR D10 SHAFT (10 PCS.)	1
8	326722 COUPLING COVER	1
9	326721 COUPLING DAMPER	4
10A	333147 COUPLING (OLD 326720)	1
11	949236 MACHINE SCREW M5X10 (10 PCS)	2
12	326723 BEARING COVER (B)	1
13	6302VV BALL BEARING 6302VVCMP2S	1
14	990852 FELT PACKING (B)	1
15	326727 SPINDLE	1
16	320228 SEAL PLATE	1
17	320227 PACKING GLAND	1
18	994192 HEX.SOCKET HD.BOLT	4
19A	326718 GEAR AND PINION SET (NEW 328697)	1
20	320220 BEARING COVER (A)	1
21	360594U ARMATURE ASS'Y 110-120 VOLT	1
21	360777E ARMATURE ASS'Y 220-230 VOLT	1
22	320215 FAN GUIDE	1
23	984271 HEX. HD.TAPPING SCREW D5X75 (OLD 963454Z)	2
24A	340682F STATOR ASS'Y 220-230 VOLT	1
24	340682C STATOR ASS'Y 110-120 VOLT	1
25	984509 SEAL LOCK HEX. SOCKET HD. BOLT M5X14 (OLD 315636)	2
26	323209 TAPPING SCREW D5X35 (W/FLANGE) BLACK	4
27	326717 GEAR COVER ASS'Y	1
28	320226 SPECIAL NUT M10	1
29	320221 SEAL WASHER	1
30	320222 FELT PACKING	1
31	6301VV BALL BEARING 6301VVCMP2S	1
32	994208 RUBBER RING (B)	1
33	328754 HOSE BAND	1
34	328748 DUST DUCT	1
35	328752 COVER (B)	1
36	HITACHI LABEL (B)	1

nÂ°	Artikel	Aantal gebruikt
37	997467 KNOB NUT	2
38	328758 ADAPTER	1
39	328761 RING	1
40	305720 TAPPING SCREW D4X12 (W/FLANGE)	2
41	324877 BOLT (SQUARE) M6X57	2
42	328759 ADAPTER (A)	1
43	328760 ADAPTER (B)	1
44	324865 DUST CAP	1
46	885414 HOLDER SLEEVE (B)	1
47	328841 SLEEVE	1
48	314622 WING NUT M6	2
49	311492 LABEL	1
50	673489 RETAINING RING (E-TYPE)	1
51	321546 SET PIN	1
52	321545 LEVER	1
53	306887 BOLT M8X22	1
54	949457 SPRING WASHER M8 (10 PCS.)	1
55	321544 SET PIECE	1
56	328745 WHEEL GUARD AS S'Y	1
57	328843 BOLT (A)	1
58A	937907Z WHEEL WASHER (C)	1
59	937909Z WHEEL NUT M14X2	1
60	328749 COVER (A)	1
61	328750 HOLDER	1
62	314429 SPRING	1
63	328751 POCKET GUIDE	1
64	974577 RETAINING RING (E-TYPE) FOR D7 SHAFT	8
65	328755 ROLLER	4
66	328756 ROLLER SHAFT	2
67	328757 BOLT (SQUARE) M5	2
68	328747 BASE	1
69	320216 DUST SEAL	1
70	6000VV BALL BEARING 6000VVCMP2L	1
71	321536 BEARING BUSH ASSY (OLD 320244)	1
72	HITACHI LABEL	1
73	326712 HOUSING	1
74	326715 BRUSH COVER	1
75	305812 TAPPING SCREW (W/FLANGE) D4X16 (BLACK)	8

nÂ°	Artikel	Aantal gebruikt
76	999089 CARBON BRUSH A.S. TYPE (1 PAIR)	1
76	999061 CARBON BRUSH 7X17X22.5 (1 PAIR)	1
77	322323 BRUSH HOLDER	2
78	326713 HANDLE (A)	1
79	326716 BRUSH COVER	1
80	NAME PLATE	1
81	326726 HANDLE DAMPER	1
82	326724 O-RING	1
83	326725 O-RING	1
84	320236 RESISTOR	1
85	320371 SWITCH W/SAFETY LOCK W/O LOCK	1
86	960266 CORD CLIP	1
87	984750 TAPPING SCREW (W/FLANGE) D4X16	2
88	326714 HANDLE (B)	1
89	981373 TUBE (D)	2
90	940778 CORD ARMOR D10.7	1
91	321539 CORD FOR GBR 110 VOLT	1
91	500460Z CORD 5M 2 X 1,5 H07RN-F (W/O PLUG)	1
91	321537 CORD 4M 2 X 1,5 H07RN-F (NEW 714520)	1
92	328744 DUST COVER ASS'Y	1
93	944950 U-NUT (B) M8	1
94	328700 INNER RACE (DISCON PART OF 328696/328697)	1
95	328694 INNER SET (W/GEAR)	1
96	328697 GEAR AND PINION SET (OLD 326718)	1
97	328698 GEAR ASS'Y (NEW 328697+326720+326721)	1
501	320994 ADAPTER	1
502A	325491 WRENCH	1
503	328844 CASE (A)	1
601	310338 SUPER WHEEL WASHER	1
602	DIAMOND WHEEL 230MMXD40-D22.2 HOLE	1



Rev.5

形名
CM9UBY