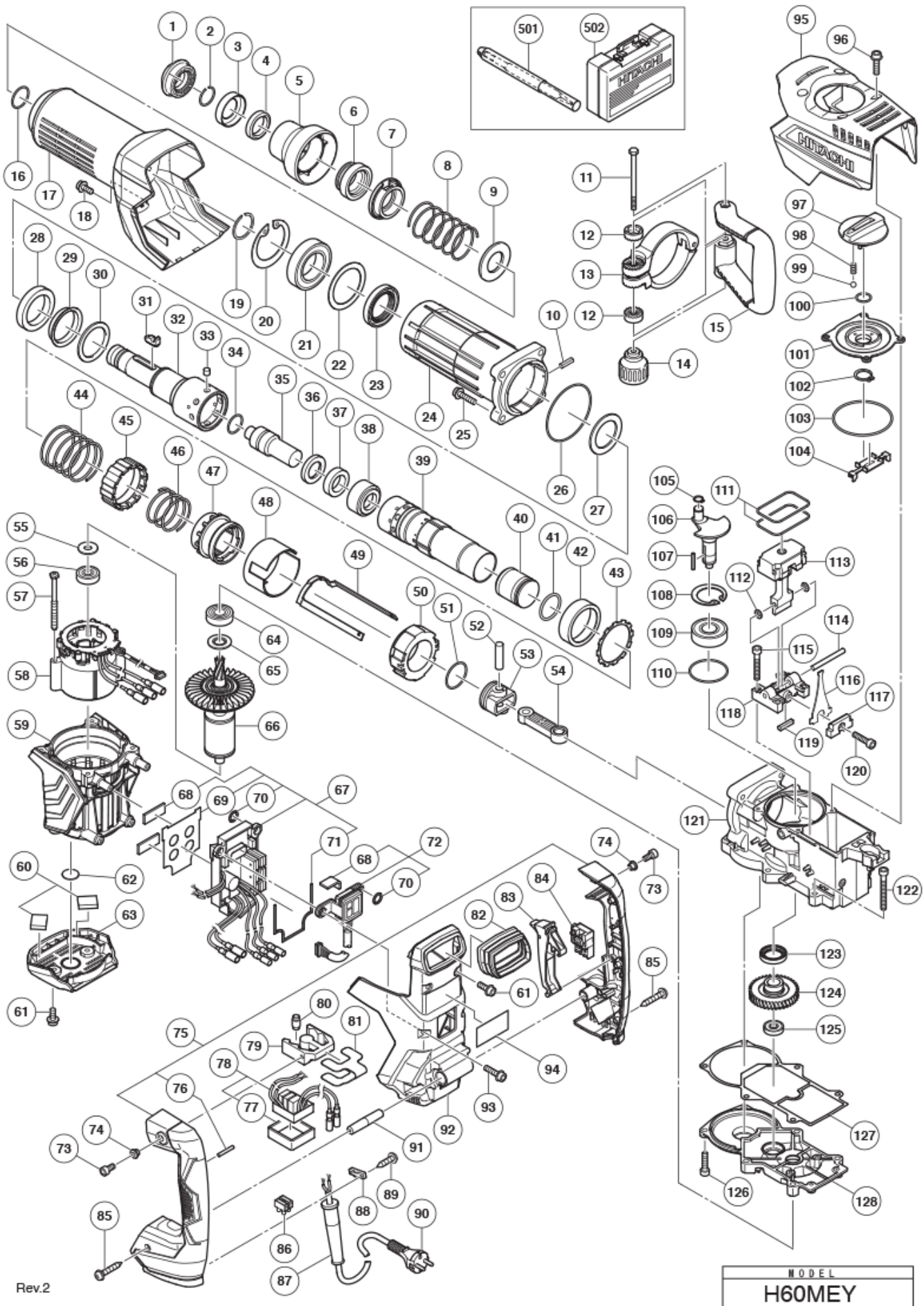


nÂ°	Artikel	Aantal gebruikt
*90	500483Z CORD	1
*58	340899 STATOR SENSOR PCB SET 220-240 VOLT NEW	1
*90	500503Z CORD	1
*90	337366 CORD FOR GBR (230V) NEW	1
*90	500469Z CORD	1
*90	500457Z CORD	1
*90	321537 CORD 4M 2 X 1,5 H07RN-F (NEW 714520)	1
*90	500453Z CORD	1
*78	338181 FILTER PCB SET 220-240 VOLT NEW	1
*67	370387 CONTROLLER ASS'Y 220-240 VOLT NEW	1
*87	940778 CORD ARMOR D10.7	1
*87	331335 CORD ARMOR D11.2 NEW	1
1	337562 FRONT CAP NEW JUL	1
2	318590 STOPPER RING	1
3	338155 RETAINER WASHER NEW	1
4	339053 RETAINER DAMPER (A) NEW	1
5	338154 GRIP NEW	1
6	370669 BIT LOCK HOLDER NEW	1
7	370668 TRUST PLATE NEW	1
8	339052 RETAINER SPRING NEW	1
9	337557 SPRING HOLDER (A) NEW JUL	1
10	949860 @ ROLL PIN D2X10 (10 PCS)	1
11	333228 BOLT M8	1
12	333202 HANDLE HOLDER (B)	2
13	370393 HANDLE HOLDER NEW	1
14	333201 GRIP	1
15	333199 SIDE HANDLE	1
16	872470 O-RING (S-26)	1
17	338198 CYLINDER CASE COVER NEW	1
18	998471 HEX.SOCKET HD.BOLT M5X12	1
19	318582 RETAINING RING D40	1
20	338200 RETAINING RING D68 NEW	1
21	339063 BALL BEARING 6008DDUCM NEW	1
22	338201 BEARING WASHER NEW	1
23	318588 OIL SEAL (NBR710) 40X58X8	1
24	338199 CYLINDER CASE NEW	1
25	990083 HEX.SOCKET SCREW	4
26	338222 O-RING (C) NEW	1

nÂ°	Artikel	Aantal gebruikt
27	338204 RETAINER DAMPER HOLDER NEW	1
28	338203 RETAINER DAMPER NEW	1
29	339064 DAMPER SLEEVE NEW	1
30	338202 RETAINER DAMPER WASHER NEW	1
31	370654 BIT LOCK NEW	2
32	338205 RETAINER SLEEVE NEW	1
33	338210 NEEDLE PIN D8 NEW	8
34	986104 O-RING	1
35	370657 SECOND HAMMER NEW	1
36	370659 DAMPER WASHER NEW	1
37	328887 DAMPER	1
38	370658 DAMPER HOLDER NEW	1
39	338209 CYLINDER NEW	1
40	370391 STRIKER NEW	1
42	338211 SPRING HOLDER (B) NEW	1
43	338216 LOCK SPRING WASHER NEW	1
44	338217 LOCK SPRING NEW	1
45	338215 LOCK SLEEVE NEW	1
46	338212 CLUTCH SPRING NEW	1
47	370392 CLUTCH NEW	1
48	338218 SLEEVE NEW	1
49	338235 SLIDER NEW	1
50	370384 METAL (A) NEW	1
51	328880 O-RING	1
52	338228 PISTON PIN NEW	1
53	328877 PISTON	1
54	328878 CONNECTING ROD	1
55	944954 BEARING WASHER	1
56	6201VV BALL BEARING 6201VVCMP2L	1
57	961501 HEX .HD. TAPPING SCREW D5X60	2
59	338168 HOUSING NEW	1
60	339065 PACKING (B) NEW	2
61	998485 HEX.SOCKET HD.BOLTM5X14 (W/FLANGE)	4
62	333225 DUST SEAL	1
63	338170 TAIL COVER NEW	1
64	6202DD BALL BEARING 6202DDUCMPS2S (OLD 956937)	1
65	980700 DUST WASHER (B)	1
66	360992 ROTOR NEW	1

nÂ°	Artikel	Aantal gebruikt
68	370655 CASE PACKING NEW	3
69	339056 RUBBER SHEET (C) NEW	1
70	339055 RUBBER SHEET (A) NEW	4
71	339057 RUBBER SHEET (D) NEW	1
72	370656 PANEL ASS'Y NEW	1
73	991690 SEAL LOCK HEX. SOCKET HD. BOLT M5X12	2
74	991711 DISTANCE PIECE (B)	2
75	370394 HANDLE ASS'Y (A+B) NEW	1
76	949890 PIN D3X20 (10 PCS)	1
77	339058 FILTER PACKING NEW	1
79	310123 TRANSATORY UNIT	1
80	310124 HANDLE DAMPER	4
81	338162 HANDLE DAMPER HOLDER NEW	1
82	338176 BELLOWS NEW	1
83	370254 TRIGGER	1
84	337587 SWITCH NEW JUN	1
85	307028 TAPPING SCREW (W/FLANGE) D4X25 (BLACK)	5
86	958308Z PILLAR TERMINAL (A)	1
88	960266 CORD CLIP	1
89	984750 TAPPING SCREW (W/FLANGE) D4X16	2
91	338175 HANDLE SHAFT NEW	1
92	338197 BACK COVER NEW	1
93	994192 HEX.SOCKET HD.BOLT	4
95	370390 CRANK COVER NEW	1
96	338177 HEX.SOCKET HD.BOLT M5X18 (W/FLANGE)	4
97	370383 CHANGE LEVER NEW	1
98	337567 LEVER SPRING NEW	1
99	959149 STEEL BALL D4.76 (10 PCS)	1
100	878885 O-RING (S-18)	1
101	370382 LEVER HOLDER NEW	1
102	939547 RETAINING RING FOR D20 (10 PCS)	1
103	338160 O-RING (A) NEW	1
104	338234 CHANGE PLATE NEW AUG	1
105	939542 RETAINING RING FOR D12 (10 PCS)	1
106	338224 CRANK SHAFT NEW	1
107	328869 FEATHER KEY 3X3X25	1
108	948227 RETAINING RING FOR D47 HOLE	1
109	6204DD BALL BEARING 6204DDUCMPS2S	1

nÂ°	Artikel	Aantal gebruikt
110	338227 O-RING (F) NEW	1
111	878713 CYLINDER O-RING (B)	2
112	338191 WASHER NEW	2
113	370653 WEIGHT NEW	1
114	338192 WEIGHT PIN NEW	1
115	306061 SEAL LOCK HEX. SOCKET HD. BOLT M5	4
116	370389 LEAF SPRING NEW	2
117	328906 SPRING HOLDER	2
118	338190 BASE NEW	1
119	338194 WEIGHT BUMPER NEW	2
120	990079 SEAL LOCK HEX. SOCKET HD. BOLT M5X16	2
121	370380 CRANK CASE NEW	1
122	986940 SEAL LOCK HEX. SOCKET HD. BOLT M6X45	4
123	328867 OIL SEAL	1
124	338225 FIRST GEAR NEW	1
125	629VVM BALL BEARING 629VVMC2EPS2L	1
126	321313 SEAL LOCK HEX. SOCKET HD. BOLT M6X22	2
127	370388 SEAL PACKING NEW	1
128	370381 GEAR COVER NEW	1
501	313471 BULL POINT (SDS MAX) 280L	1
502	370395 PLASTIC CARRYING CASE NEW	1
503	372113 BUCKLE NEW	2
601	981840 GREASE (FG-6A) (30G)	1
602	308471 GREASE FOR HAMMER DRILL (70G)	1
603	980927 GREASE FOR IMPACT DRILL (FG-6A) (500G)	1



Rev.2

MODEL
H60MEY