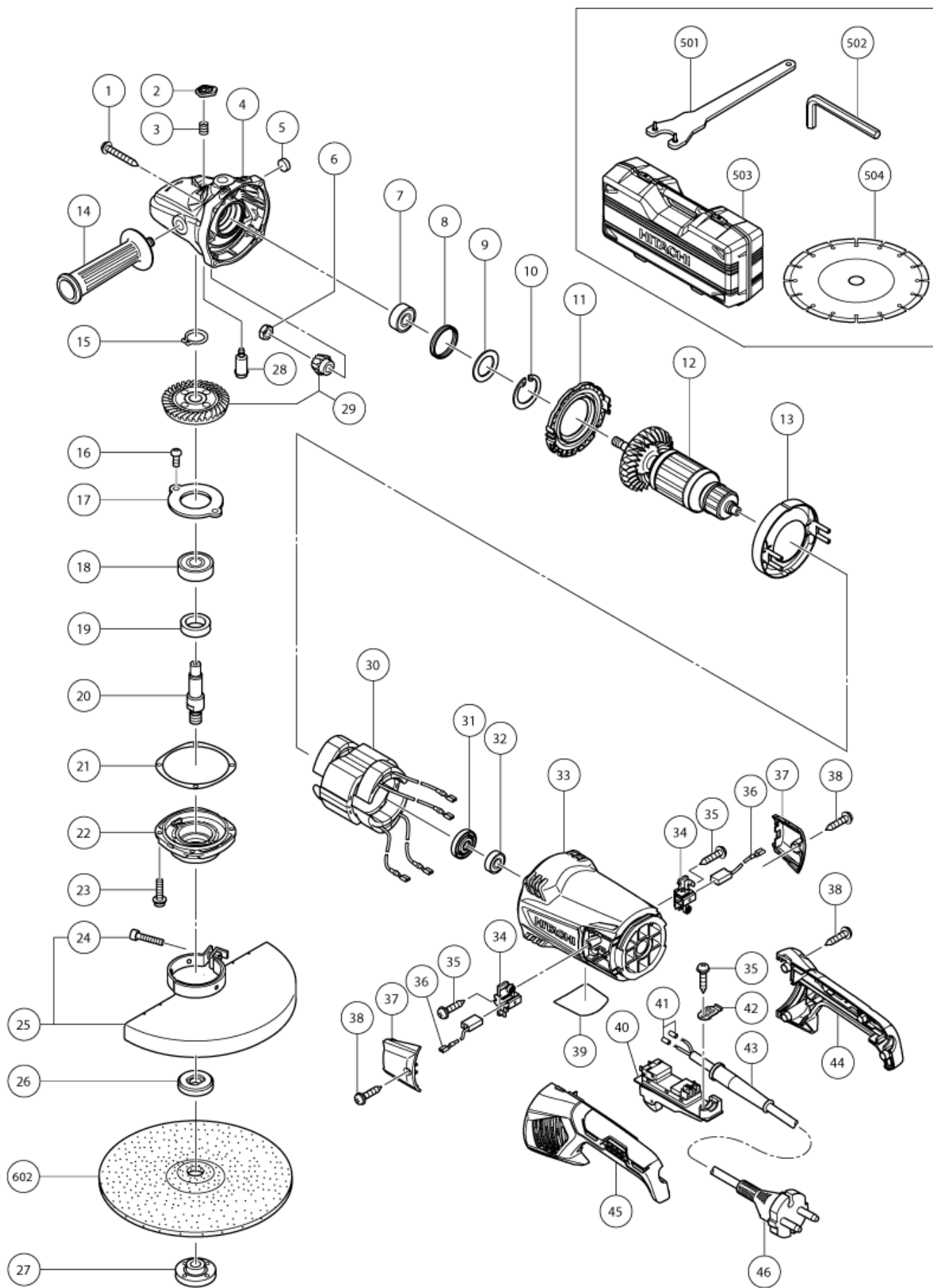


nÂ°	Artikel	Aantal gebruikt
	STANDARD ACCESSORIES	0
	OPTIONAL ACCESSORIES	0
1	323209 TAPPING SCREW D5X35 (W/FLANGE) BLACK	4
2	337641 PUSHING BUTTON	1
3	320219 SPRING	1
4	337650 GEAR COVER ASS'Y	1
5	937033 FELT WASHER	1
6	320226 SPECIAL NUT M10	1
7	6301VV BALL BEARING 6301VVCMP2S	1
8	330031 RUBBER RING	1
9	337642 WASHER	1
10	948391 RETAINING RING FOR D40 HOLE	1
11	337640 FAN GUIDE (B)	1
12	360982F ARMATURE 240V	1
12	360982C ARMATURE 110 VOLT	1
12	360982E ARMATURE 220-230 VOLT	1
12	360982D ARMATURE 120V-127V	1
13	337639 FAN GUIDE (A)	1
14	937981 SIDE HANDLE FOR M14 (OLD 321542)	1
15	939542 RETAINING RING FOR D12 (10 PCS)	1
16	949236 MACHINE SCREW M5X10 (10 PCS)	2
17	320229 BEARING COVER (B)	1
18	6302VV BALL BEARING 6302VVCMP2S	1
19	990852 FELT PACKING (B)	1
20	321541 SPINDLE	1
20	320234 SPINDLE	1
21	320228 SEAL PLATE	1
22	320227 PACKING GLAND	1
23	994192 HEX.SOCKET HD.BOLT	4
24	949760 HEX.SOCKET HD.BOLT M8X25 (10 PCS)	1
25	338292 WHEEL GUARD ASS'Y	1
25	338294 WHEEL GUARD ASS'Y	1
26	937907Z WHEEL WASHER (C)	1
27	937923P WHEEL NUT 5/8"-11UNC	1
27	937909Z WHEEL NUT M14X2	1
28	306890 LOCK PIN	1
29	330688 GEAR AND PINION SET	1
30	340888E STATOR ASS'Y 220-230 VOLT	1

nÂ°	Artikel	Aantal gebruikt
30	340888F STATOR 240V	1
30	340888D STATOR 120V-127V	1
30	340888C STATOR ASS'Y 110 VOLT	1
31	330029 DUST SEAL	1
32	6000VV BALL BEARING 6000VVCMP2L	1
33	337643 HOUSING	1
34	337646 BRUSH HOLDER	2
35	984750 TAPPING SCREW (W/FLANGE) D4X16	3
36	999059 CARBON BRUSH (1 PAIR)	2
36	999093 CARBON BRUSH A.S. TYPE (1 PAIR) NEW	1
37	337649 BRUSH COVER	2
38	305812 TAPPING SCREW (W/FLANGE) D4X16 (BLACK)	6
39	NAME PLATE	1
40	320239 SWITCH W/SAFETY LOCK W/LOCK	1
40	338295 SWITCH 2 PILLAR TYPE W/LOCK 110 VOLT	1
40	320238 SWITCH W/SAFETY LOCK	1
41	981373 TUBE (D)	2
41	961820 TUBE (D) (OLD 961820Z)	2
42	331336 CORD CLIP	1
43	337918 CORD ARMOR D11.6 NEW	1
43	958049 CORD ARMOR D8.2 (OLD 958049Z)	1
43	940778 CORD ARMOR D10.7	1
44	337654 HANDLE (D)	1
45	337653 HANDLE (C)	1
46	500487Z CORD	1
46	500474Z CORD (OLD 500214Z) (NEW 714520)	1
46	500494Z CORD	1
46	500453Z CORD	1
46	500497Z CORD	1
46	500498Z CORD	1
46	500492Z CORD (CORD ARMOR D10.7) NEW	1
46	500496Z CORD	1
46	500435Z CORD 2,5M 2 X 1.0 H05VV-F W/PLUG 13A/250V GBR	1
46	500493Z CORD	1
46	500495Z CORD	1
501	325491 WRENCH	1
502	872422 HEX. BAR WRENCH 6MM	1
503	333932 CASE	1

nÂ°	Artikel	Aantal gebruikt
504	DIAMOND CUTTER 230MM-D22.2 HOLE	1
601	994275 DIAMOND WHEEL (SEGMENT) 230MM-D22.2 HOLE	1
602	316825 D. C. WHEELS 230MM A24R (25 PCS.)	1
603	310337 SUPER WHEEL WASHER	1
604	323993 PIPE HANDLE SET (OLD 322141)	1
605	985597 BOLT M14	2
606	332797 WHEEL GUARD (FOR CUTTING)	1



Rev.1

形 名
G23SW2