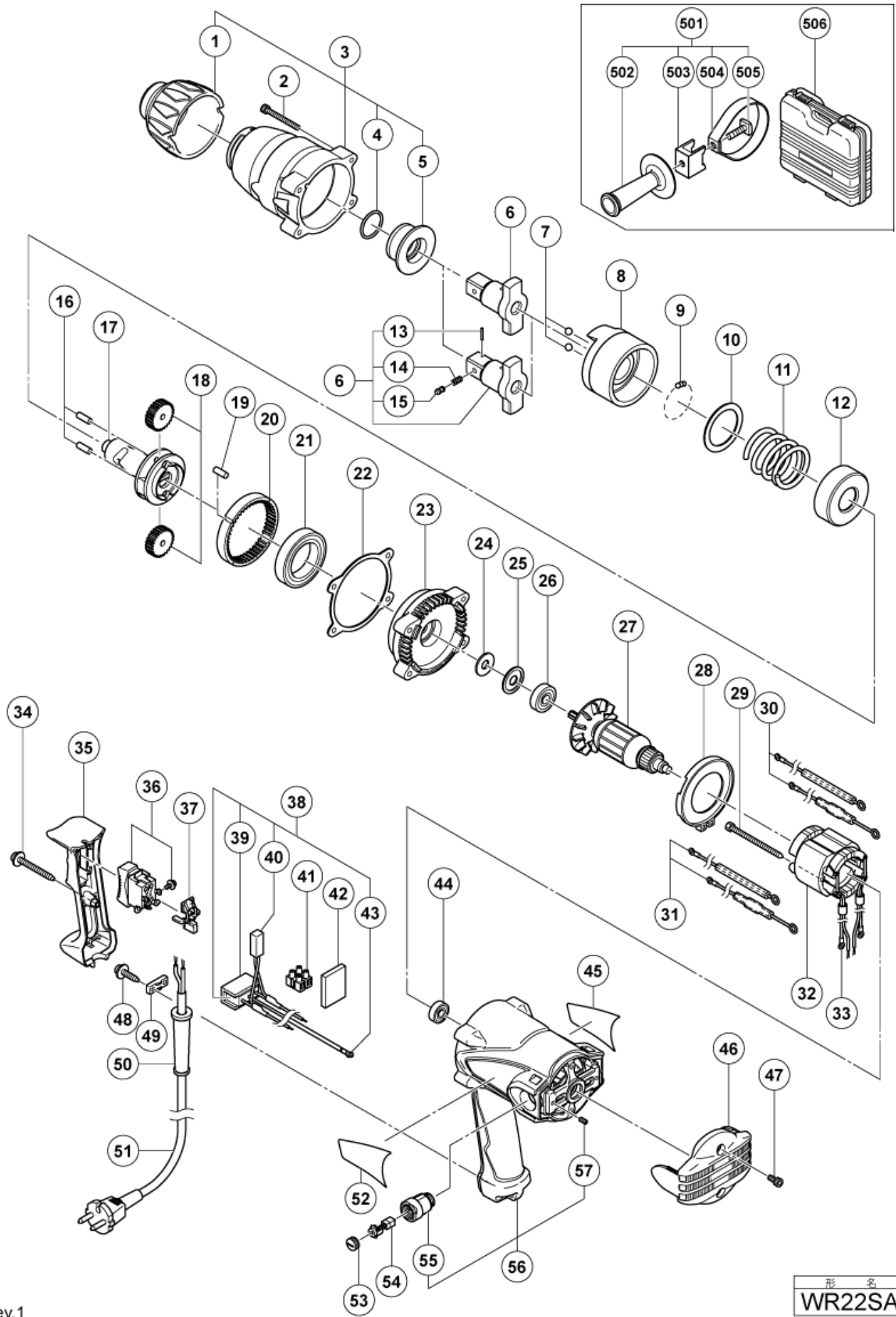


nÂ°	Artikel	Aantal gebruikt
	OPTIONAL ACCESSORIES	0
	STANDARD ACCESSORIES	0
1	324008 BUMPER	1
2	323994 SEAL LOCK HEX. SOCKET HD. BOLT M5X45	4
3	324006 HAMMER CASE ASS'Y	1
4	971028 O-RING (P-28)	1
5	324007 METAL	1
6	324013 ANVIL (A)	1
6	324021 ANVIL ASS'Y	1
7	959151 STEEL BALL D7.14 (10 PCS)	2
8	324005 HAMMER	1
9	959155 STEEL BALL D3.97 (10 PCS.)	3
10	324004 HAMMER WASHER	1
11	324002 SPRING	1
12	324001 SPRING SEAT	1
13	949507 ROLL PIN D2X14 (10 PCS)	1
14	992571 SPRING	1
15	992572 PLUNGER	1
16	971016 GEAR SHAFT	2
17	324003 SPINDLE	1
18	318448 IDLE GEAR SET (2 PCS) (OLD 971014)	2
19	991449 NEEDLE ROLLER	1
20	985303 RING GEAR (OLD 971025)	1
21	6908ZN BALL BEARING 6908ZZ-N (OLD 6908ZZ)	1
22	323995 PACKING (B)	1
23	323999 INNER COVER	1
24	323996 FELT PACKING	1
25	971012 PACKING WASHER	1
26	6200DD BALL BEARING 6200DDCMPS2L	1
27	360700U ARMATURE ASS'Y 110 -120 VOLT	1
27	360700E ARMATURE 220-230 VOLT	1
27	360700F ARMATURE 240V	1
28	323998 FAN GUIDE	1
29	961400 HEX.HD. TAPPING SCREW D5X70	2
30	324009 INTERNAL WIRE (WHITE)	1
30	324017 INTERNAL WIRE WHITE	1
31	324018 INTERNAL WIRE (BLACK)	1
31	324010 INTERNAL WIRE (BLACK)	1

nÂ°	Artikel	Aantal gebruikt
32	340620C STATOR 110-120 VOLT	1
32	340620F STATOR 240V	1
32	340620E STATOR 220-230 VOLT	1
33	960356 TERMINAL (A) M3.5 (10 PCS)	2
34	303694 TAPPING SCREW D4X35 (W/FLANGE) BLACK	1
35	324020 HANDLE COVER	1
36	985103 SWITCH ASS'Y (2P SCREW TYPE)	1
36	320528 SWITCH ASS'Y (2P SCREW TYPE)	1
37	323768 SWITCH ADAPTER	1
38	324319 NOISE SUPPRESSOR ASS'Y (W/RESISTOR)	1
39	930153 SUPPORT (B)	1
40	316186 SUPPORT (B)	1
41	958308Z PILLAR TERMINAL (A)	1
42	324023 SUPPORT (B)	1
43	961419Z TERMINAL	1
44	608VVM BALL BEARING 608VVC2PS2L	1
45	NAME PLATE	1
46	323997 TAIL COVER	1
47	877839 SEAL LOCK HEX. SOCKET HD. BOLT M5X10	2
48	984750 TAPPING SCREW (W/FLANGE) D4X16	2
49	937631 CORD CLIP	1
50	953327 CORD ARMOR D8.8	1
50	938051 CORD ARMOR D10.1	1
51	500439Z CORD FOR AUS (OLD 500226Z/500411Z)	1
51	500423Z @ CORD 2,5M 2 X 1.0 H05VV-F W/PLUG 13A/250V (OLD 500223Z)	1
51	500456Z CORD	1
51	500240Z CORD FOR USA/CAN	1
51	500435Z CORD 2,5M 2 X 1.0 H05VV-F W/PLUG 13A/250V GBR	1
51	500234Z CORD 5M 2 X 1.0 FOR INA,SUR,MLT H05VV-F (NEW 714500)	1
51	500247Z CORD (NEW 714500)	1
51	500450Z CORD 230 VOLT GBR	1
51	500461Z CORD 3M 2 X 1,0 H05VV-F W/PLUG 16A CEE FORM 2P+E FOR GBR	1
51	500245Z CORD FOR SYR	1
51	323974 CORD	1
52	HITACHI LABEL	1
53	935829 BRUSH CAP	2
54	999043 CARBON BRUSH (1 PAIR)	2
55	957774 BRUSH HOLDER	2

nÂ°	Artikel	Aantal gebruikt
56	324019 HOUSING ASS'Y	1
57	938477 HEX.SOCKET SET SCREW M5X8	2
501	324015 SIDE HANDLE ASS'Y	1
502	980901 SIDE HANDLE	1
503	323775 HANDLE HOLDER	1
504	324016 @ HANDLE RING	1
505	980903 SQUARE BOLT M8	1
506	324014 CASE (B)	1
601	874535 EXTENSION BAR ASS'Y (SQUARE) 19.0MMX150L	1
602	874524 SOCKET RING	1
603	874525 SOCKET PIN	1
604	955088 UNIVERSAL JOINT ASS'Y	1
605	955091 @ UNIVERSAL JOINT PIN	1
606	986004 ADAPTER ASS'Y 12.7MM	1
607	874527 HEX. SOCKET ASS'Y 23MMX55L	1
608	874528 HEX. SOCKET ASS'Y 24MMX55L	1
609	874529 HEX. SOCKET ASS'Y 26MMX55L	1
610	874530 HEX. SOCKET ASS'Y 27MMX55L	1
611	874532 HEX. SOCKET ASS'Y 30MMX55L	1
612	874523 HEX. SOCKET ASS'Y 32MMX55L	1
613	874533 HEX. SOCKET ASS'Y 35MMX55L	1
614	874534 HEX. SOCKET ASS'Y 36MMX55L	1
615	955028 HEX. SOCKET ASS'Y (LONG) 17MMX60L	1
616	955029 HEX. SOCKET ASS'Y (LONG) 19MMX60L	1
617	955030 HEX. SOCKET ASS'Y (LONG) 21MMX60L	1
618	955031 HEX. SOCKET ASS'Y (LONG) 22MMX60L	1
619	955033 HEX. SOCKET ASS'Y (LONG) 24MMX60L	1
620	955034 HEX. SOCKET ASS'Y (LONG) 26MMX85L	1
621	955035 HEX. SOCKET ASS'Y (LONG) 27MMX85L	1
622	955037 HEX. SOCKET ASS'Y (LONG) 30MMX85L	1
623	955038 HEX. SOCKET ASS'Y (LONG) 32MMX100L	1
624	955092 HEX. SOCKET ASS'Y (LONG) 36MMX100L	1



Rev.1

形名  
WR22SA