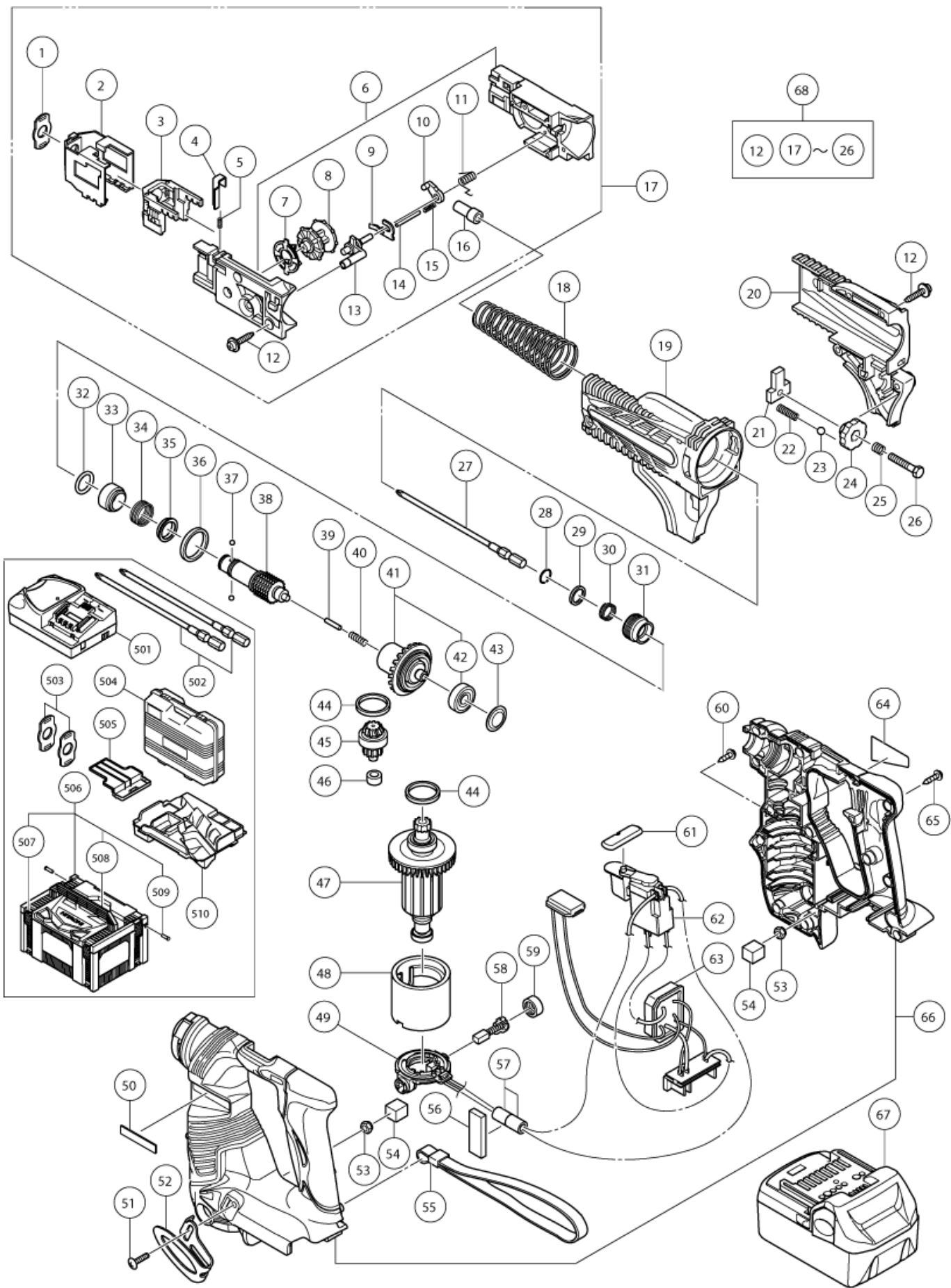


nÂ°	Artikel	Aantal gebruikt
2	324863 STOPPER	1
3	324177 GUIDE BLOCK	1
4	324184 PLATE (A)	1
5	324185 SPRING (C)	1
6	324165 SLIDER (A+B) SET	1
7	324175 CLUTCH PLATE	1
8	324167 SPROCKET	1
9	324176 STOPPER PLATE	1
10	324173 ARM (B)	1
11	324174 ARM SPRING	1
12	301653 TAPPING SCREW (W/FLANGE) D4X20 (BLACK)	6
13	324169 ARM	1
14	885349 PIN D2.5	1
15	324489 SPRING	1
16	324186 METAL (F)	1
17	324164 SLIDER ASS'Y (NEW 328497)	1
18	324190 SPRING	1
19	324162 SLIDER CASE (A)	1
20	324163 SLIDER CASE (B)	1
21	324189 STOPPER PIN (OLD 324726)	1
22	324191 SPRING (A)	1
23	959148 STEEL BALL D3.175 (10 PCS)	1
24	324187 KNOB	1
25	312430 SPRING	1
26	324188 BOLT M5	1
28	330619 RETAINING RING	1
29	330618 WASHER (D)	1
30	330617 GUIDE SPRING (C)	1
31	322717 GUIDE SLEEVE (D)	1
32	317662 O-RING (F)	1
33	332465 METAL (F)	1
34	330162 STOPPING SPRING	1
35	330163 LOCKING FLANGE	1
36	334270 DRUM METAL	1
37	319535 STEEL BALL D3.5 (10 PCS)	2
38	332461 SOCKET (A)	1
39	330164 RUBBER SHAFT	1
40	329642 SPRING (C)	1

nÂ°	Artikel	Aantal gebruikt
41	332464 CLUTCH DRUM ASS'Y	1
42	608VVM BALL BEARING 608VVC2PS2L	1
43	313153 THRUST PLATE	1
44	323420 RUBBER RING	2
45	332463 SECOND PINION SET	1
46	324150 NEEDLE BEARING	1
47	360958 ARMATURE & PINION SET NEW	1
48	333735 MAGNET	1
49	332460 BRUSH BLOCK	1
50	329648 HITACHI PLATE	1
51	327001 TRUSS HD. SCREW M4 (BLACK)	1
52	332824 HOOK	1
53	327002 LOCK NUT M4 (BLACK)	2
54	332462 PACKING	2
55	306952 STRAP (BLACK)	1
56	326493 SUPPORT (D)	1
57	323229 FERRITE CORE	2
58	999054 CARBON BRUSH 5X6X11.5 (1 PAIR)	2
59	319918 BRUSH CAP	2
60	334333 TAPPING SCREW D3X12 (BLACK)	1
61	322853 PUSHING BUTTON	1
62	332459 SWITCH (1P SOLDER TYPE) W/LOCK	1
63	335507 CONTROLLER TERMINAL SET	1
64	NAME PLATE	1
65	313687 TAPPING SCREW (W/FLANGE) D3X16 (BLACK)	1
66	335506 HOUSING SET (A+B)	1
67	334421 BATTERY BSL 1840 (EUROPE,AUS,NZL)	2
67	334905 BATTERY BSL 1830 (KOR)	2
67	334729 BATTERY BSL 1830 (TPE)	2
68	328497 SLIDER CASE ASS'Y (OLD 324164)	1
501	CHARGER (MODEL UC 18YRSL)	1
502	324134 + DRIVER BIT NO.2 136.4L	1
503	332455 SHEET (2 PCS)	1
504	332454 CASE	1
505	329897 BATTERY COVER	2
506	337108 CASE ASS'Y (STACKABLE)	1
507	336472 LATCH	4
508	336473 HANDLE	1

nÂ°	Artikel	Aantal gebruikt
509	336474 HINGE	2
510	337112 INNER TRAY	1



Rev.2

形名  
WF18DSL